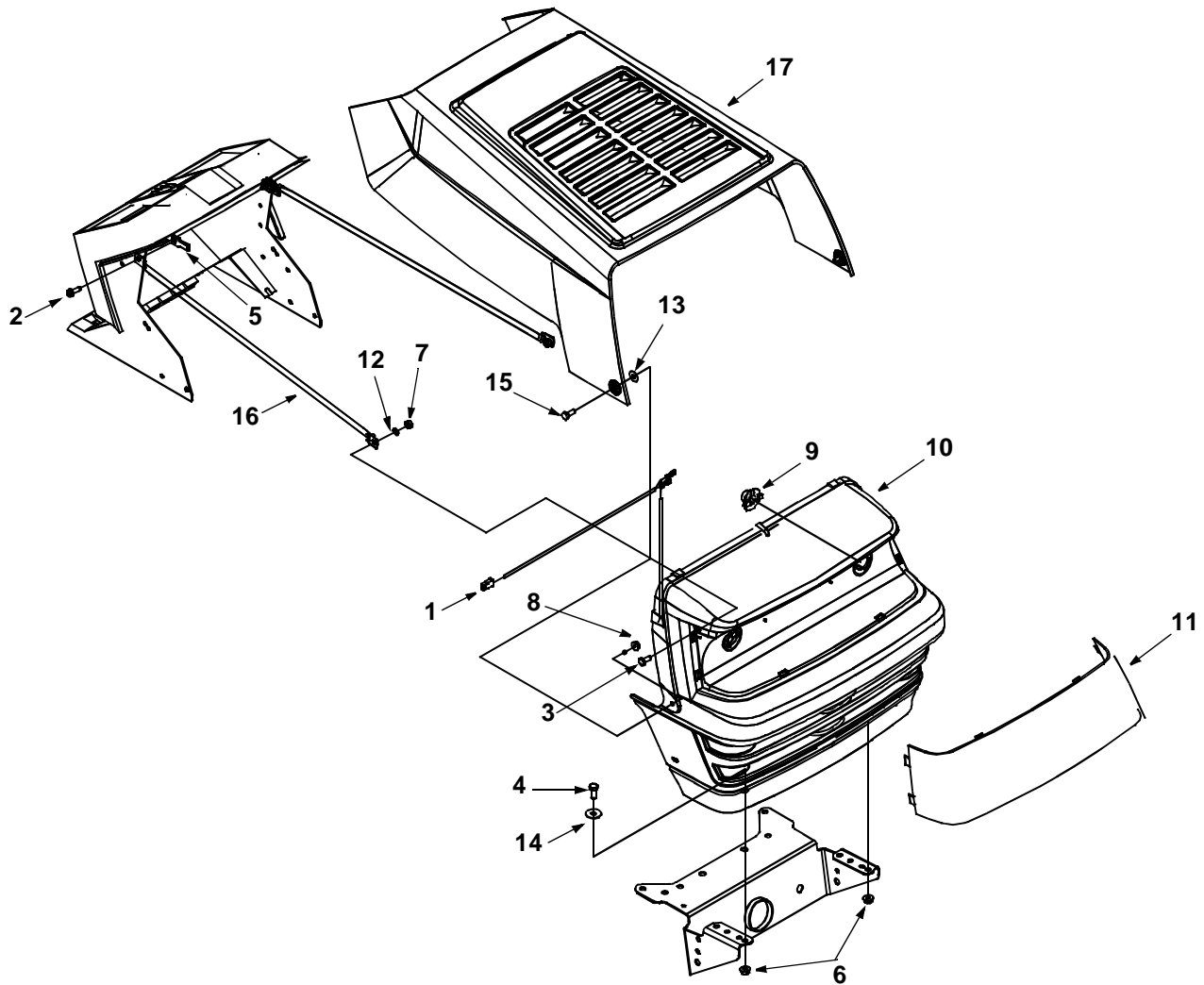


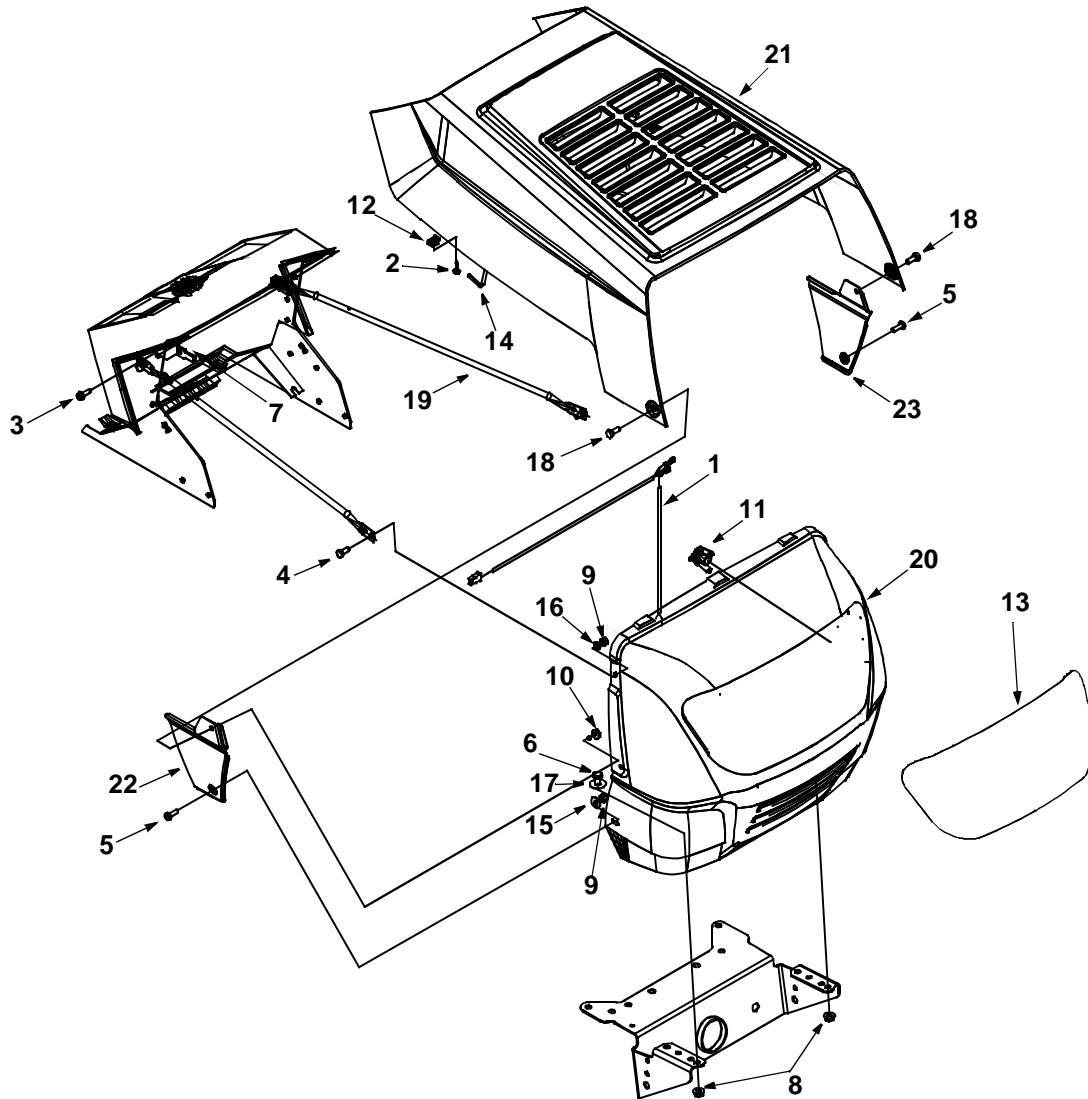


# Model Series 660 and 670



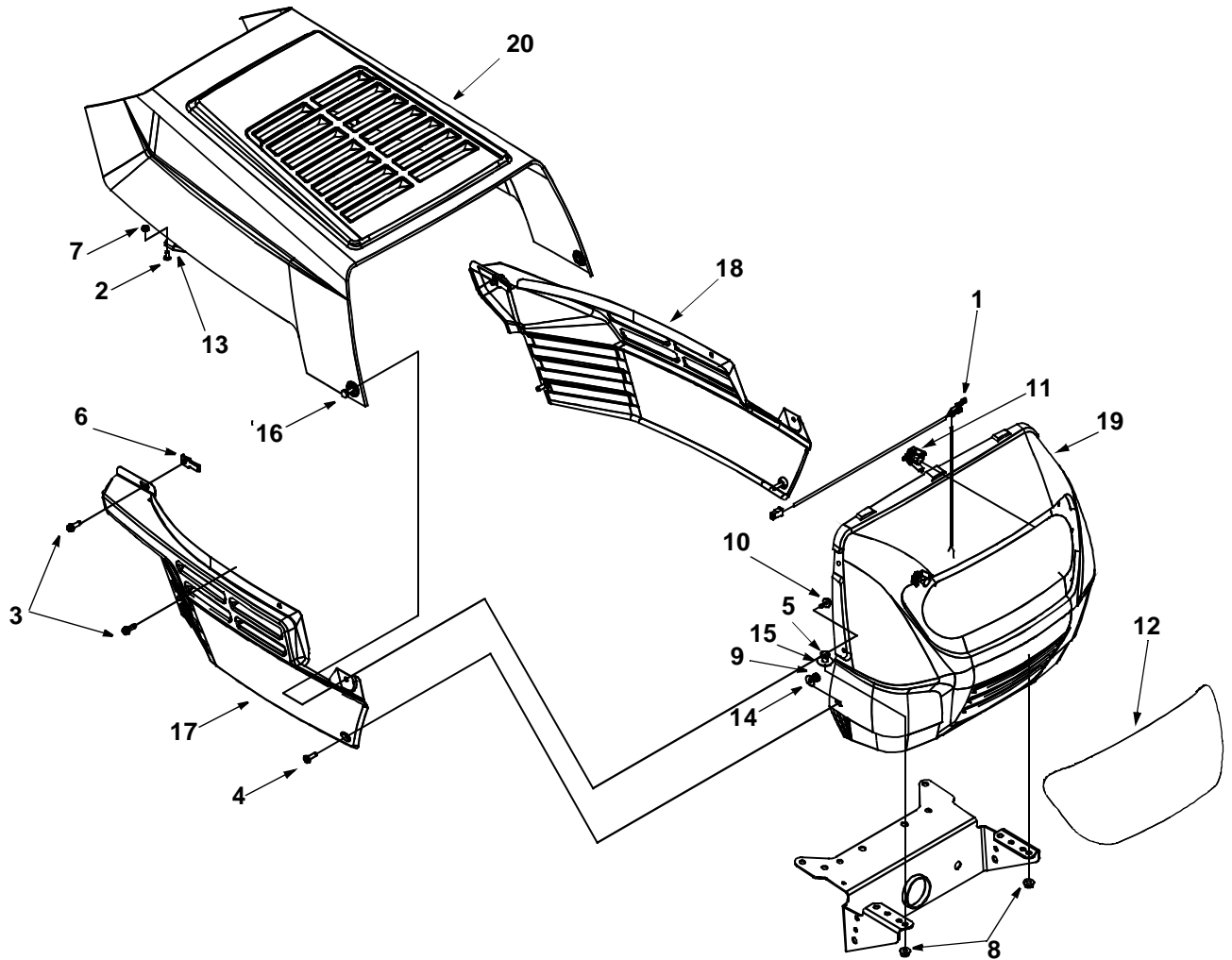
Ref. No.	Part No.	Description	Ref. No.	Part No.	Description
1.	629-0469A	Harness Assembly	-	725-0963	Lamp (Not Shown)
2.	710-0642	Hex TT-Tap Scr. 1/4-20 x .75" Lg.	10.	731-1097E	Grille
3.	710-0751	Hex Bolt 1/4-20 x .62" Lg.	11.	731-1099A	Lens
4.	710-3008	Hex Bolt 5/16-18 x .75" Lg.	12.	736-0329	L-Wash. 1/4" I.D.
5.	712-0185	Speed Nut 1/4-20 Thd.	13.	736-0342	Fl-Wash. .293" I.D. x .75" O.D.
6.	712-3004A	Flange L-Nut 5/16-18 Thd.	14.	736-3078	Fl-Wash. .349" I.D. x .063" O.D.
7.	712-3006	Hex Nut 1/4-20 Thd.	15.	738-0952A	Shldr Screw .375" I.D. x .125" O.D.
8.	712-3027	Hex Flange L-Nut 1/4-20 Thd.	16.	749-0812	Grille Support
9.	725-1649	Socket	17.	783-0250	Hood

# Model Series 662 and 672



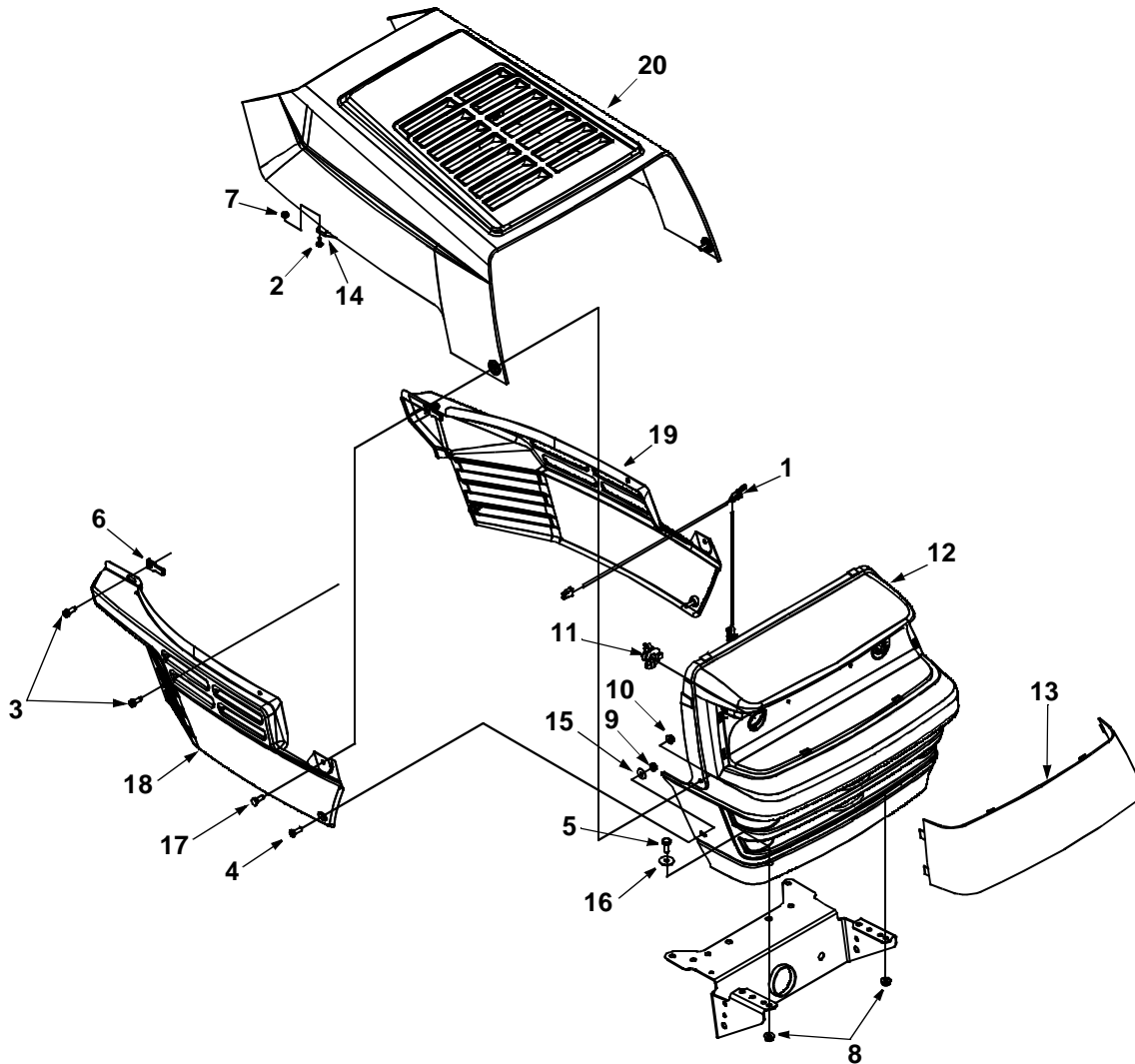
Ref. No.	Part No.	Description	Ref. No.	Part No.	Description
1.	629-0469A	Headlight Harness Assembly	12.	726-0130	Speed Nut
2.	710-0589	Truss. Mach. Scr. #10-24 x .75"	13.	731-1503A	Lens
3.	710-0642	Hex TT-Tap Scr. 1/4-20 x .75" Lg.	14.	732-0699	Hood Spring
4.	710-0751	Hex Bolt 1/4-20 x .5/8" Lg.	15.	736-0270	Bell Wash. .265" I.D. x .75" O.D.
5.	710-0924	Pan Hd. Mach. Scr. 1/4-20 x .75"	16.	736-0329	L-Wash. 1/4" I.D.
6.	710-3008	Hex Bolt 5/16-18 x .75" Lg.	17.	736-3078	Fl-Wash. .349" I.D. x 1.0" O.D.
7.	712-0185	Speed Nut 1/4-20 Thd.	18.	738-0952A	Shldr Bolt. .375" I.D. x 1.25" O.D.
8.	712-3004A	Flange L-Nut 5/16-18 Thd.	19.	749-0722B	Grille Support Rod
9.	712-3006	Hex Sems Nut 1/4-20 Thd.	20.	783-0156A	Grill
10.	712-3027	Hex Flange L-Nut 1/4-20 Thd.	21.	783-0250	Hood
11.	725-1651	Socket	22.	783-0366	R.H. Side Panel
-	725-0963	Lamp (Not Shown)	23.	783-0367	L.H. Side Panel

# Model Series 663 and 673



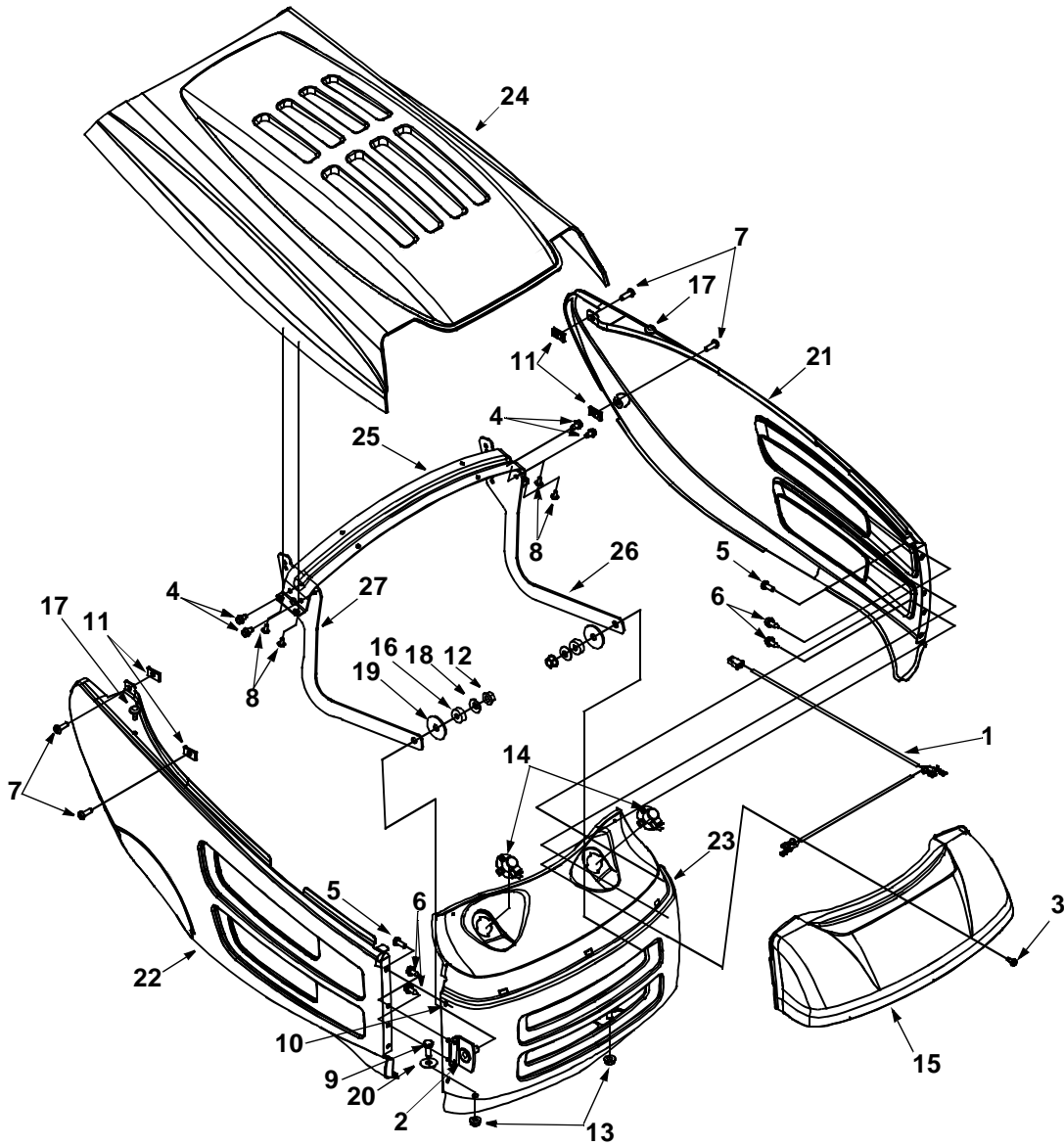
Ref. No.	Part No.	Description	Ref. No.	Part No.	Description
1.	629-0469A	Harness Assembly	12.	731-1503A	Lens
2.	710-0473	Truss. Mach. Scr. #10-24 x 5" Lg.	13.	732-0835	Hood Latch
3.	710-0642	Hex TT-Tap Scr. 1/4-20 x .75" Lg.	14.	736-0270	Bell-Wash. .265" I.D. x .75" O.D.
4.	710-0924	Pan Hd. Scr. 1/4-20 x .75" Lg.	15.	736-3078	Fl-Wash. .349" I.D. x 1.0" O.D.
5.	710-3008	Hex Bolt 5/16-18 x .75" Lg.	16.	738-0952A	Shd. Scr. .375" I.D. x 1.25" O.D.
6.	712-0185	Speed Nut 1/4-20 Thd.	17.	783-0150A	R.H. Side Panel
7.	712-0272	Hex Sems Nut 1-24 Thd.	18.	783-0151A	L.H. Side Panel
8.	712-3004A	Flange L-Nut 5/16-18 Thd.	19.	783-0156A	Grille
9.	712-3006	Hex Nut 1/4-20 Thd.	20.	783-0250	Hood
10.	712-3027	Flange L-Nut 1/4-20 Thd.			
11.	725-1651	Socket			
-	725-0963	Lamp (Not Shown)			

# Model Series 665 and 675



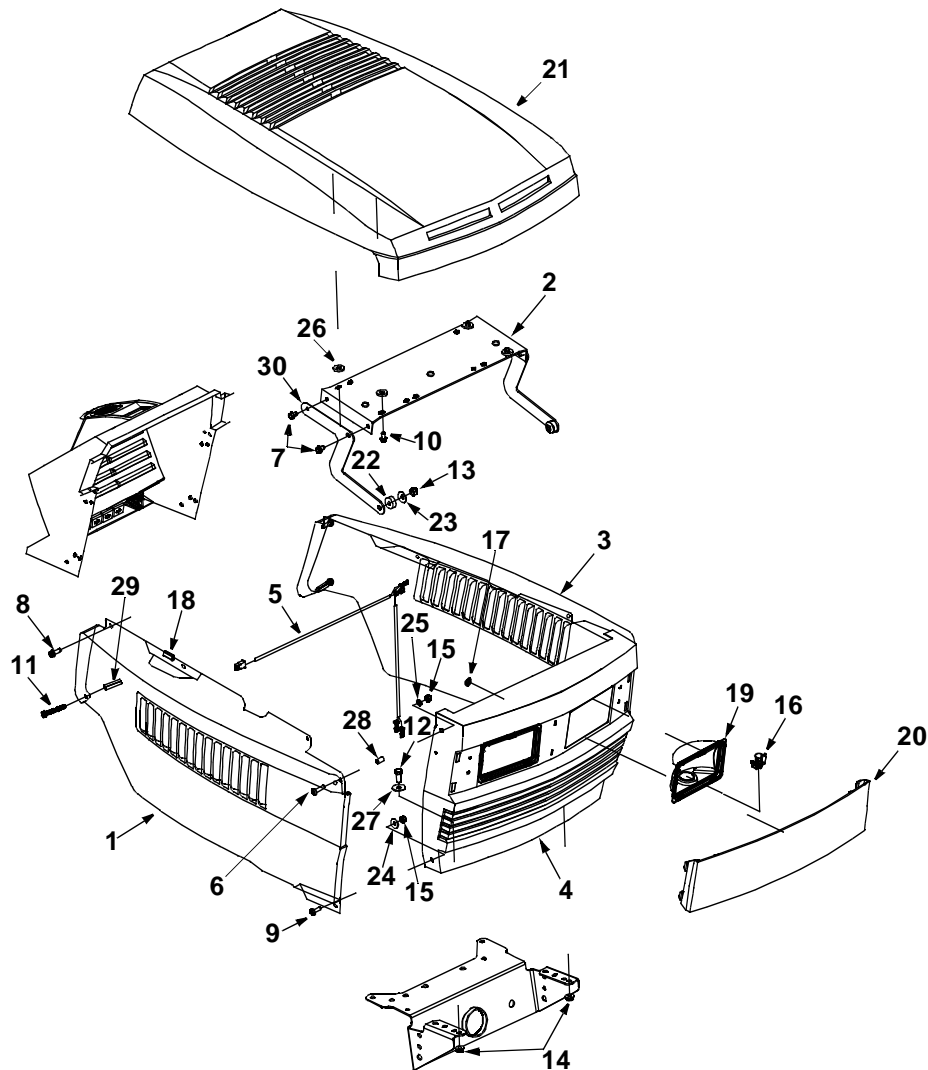
Ref. No.	Part No.	Description	Ref. No.	Part No.	Description
1.	629-0469A	Harness Assembly	12.	731-1097E	Grill
2.	710-0473	Truss Mach. Scr. #10-24 x .5"	13.	731-1099A	Lens
3.	710-0642	Hex TT-Tap Scr. 1/4-20 x .75" Lg.	14.	732-0835	Hood Latch
4.	710-0924	Pan Hd. Scr. 1/4-20 x .75" Lg.	15.	736-0270	Bell-Wash. 1/4" I.D.
5.	710-3008	Hex Bolt 5/16-18 x .75" Lg.	16.	736-3078	FI-Wash. .34" I.D. x 1" O.D.
6.	712-0185	Speed Nut 1/4-20 Thd.	17.	738-0952A	Shld. Bolt .375" Dia. x .125" Lg.
7.	712-0272	Hex Sems Nut #10-24 Thd.	18.	783-0150A	R.H. Side Panel
8.	712-3004A	Flange L-Nut 5/16-18 Thd.	19.	783-0151A	L.H. Side Panel
9.	712-3006	Hex Sems Nut 1/4-20 Thd.	20.	783-0250	Hood
10.	712-3027	Hex Flange L-Nut 1/4-20 Thd.			
11.	725-1649	Socket			
-	725-0963	Lamp (Not Shown)			

# Model Series 678



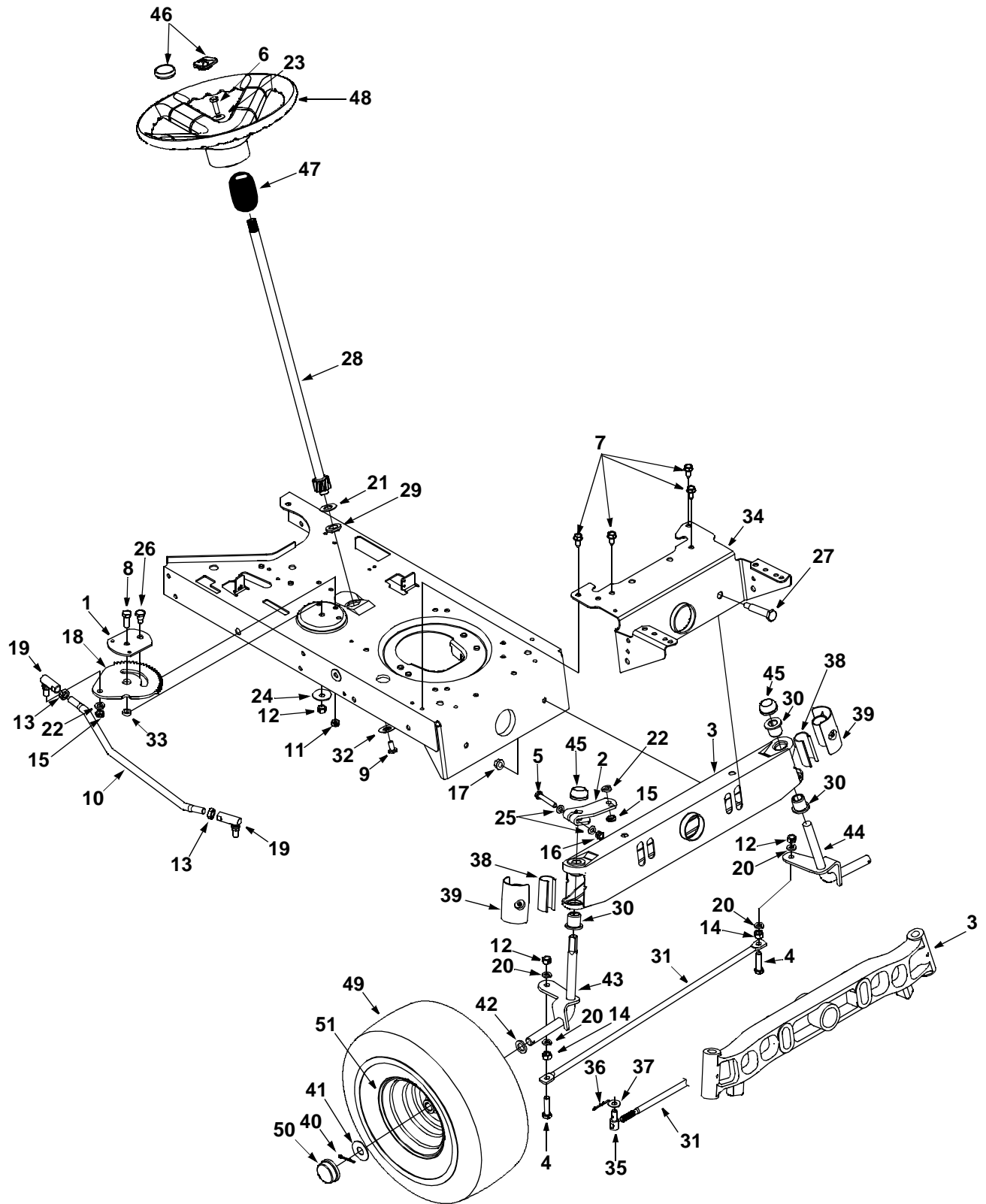
Ref. No.	Part No.	Description	Ref. No.	Part No.	Description
1.	629-0469A	Harness Assembly	-	725-0963	Lamp (Not Shown)
2.	683-0195	Bracket Assembly	15.	731-1854A	Lens
3.	710-0456	Hex Wash. Tap Screw #10-16 Thd.	16.	735-0126	Rubber Wash.
4.	710-0599	Hex Wash. TT-Tap Scr. 1/4-20 Lg.	17.	735-0199A	Rubber Bumper
5.	710-0751	Hex Bolt 1/4-20 x .62" Lg.	18.	736-0105	Bell-Wash. .375" I.D. x .870" O.D.
6.	710-0896	Hex Wash. Scr. 1/4-14 x .625" Lg.	19.	736-3039	Fl-Wash. .406" I.D. x 1.5" O.D.
7.	710-0924	Pan Hd. Mach. Scr. 1/4-20 x .75" Lg.	20.	736-3078	Fl-Wash. .349" I.D. x 1.0" O.D.
8.	710-1760	Torx Scr. #10-16 x .5" Lg.	21.	783-0475A	L.H. Side Panel
9.	710-3008	Hex Bolt 5/16-18 x .75" Lg.	22.	783-0476B	R.H. Side Panel
10.	712-0271	Hex Nut 1/4-20 Thd.	23.	783-0477A	Grill
11.	712-0292	Tinn Nut 1/4-20 Thd.	24.	783-0478A	Hood
12.	712-0431	Flange L-Nut 3/8-16 Thd.	25.	783-0553A	Hood Support Bracket
13.	712-3004A	Flange L-Nut 5/16-18 Thd.	26.	783-1038C	L.H. Hinge Hood Bracket
14.	725-1649	Socket	27.	783-1495	R.H.Hinge Hood Bracket

# Model Series 679



Ref. No.	Part No.	Description	Ref. No.	Part No.	Description
1.	16725	R.H. Side Panel	18.	731-0511	Trim Strip
2.	16903A	Hood Plate	19.	731-0705	Headlight Housing
3.	17309B	L.H. Side Panel	20.	731-1044	Lens
4.	17410A	Grill	21.	731-1704A	Hood-Evergreen
5.	629-0469A	Headlight Harness Assembly		731-1893A	Hood-Black
6.	710-0166	Pan Hd. Scr. 1/4-20 x 1" Lg.		731-1491A	Hood-Red
7.	710-0599	Hex Wash. Hd.Tap Scr. 1/4-20 x 5"		731-1492	Hood-Midnight Blue
8.	710-0642	Hex Tap Scr. 1/4-20 x .75" Lg.		731-1497A	Hood-Gray
9.	710-0924	Pan Hd. Scr. 1/4-20 x .75" Lg.	22.	735-0126	Rubber Washer
10.	710-1005	Hex Wash. Hd. Scr. 1/4-20 x .5"	23.	735-0242	Bellville Washer
11.	710-1026	Hex Wash. TT-Tap Scr. 1/4-20	24.	736-0270	Bell-Wash. .265" I.D. x .75" O.D.
12.	710-3008	Hex Bolt 5/16-18 x .75" Lg.	25.	736-0329	L-Wash. 1/4" I.D.
13.	712-0429	Hex L-Nut 5/16-18 Thd.	26.	736-3010	Fl-Wash. .407" I.D. x 812" O.D.
14.	712-3004A	Flange L-Nut 5/16-18 Thd.	27.	736-3078	Fl-Wash. .349" I.D. x .063" O.D.
15.	712-3006	Hex Nut 1/4-20 THd.	28.	750-0218	Spacer .255" I.D. x .340" O.D.
16.	725-1650	Socket	29.	750-0768	Split Spacer .250" I.D. x .37" O.D.
-	725-0963	Lamp (Not Shown)	30.	783-0190	Hood Hinge
17.	726-0201	Speed Nut			

# Model Series 660 Thru 679





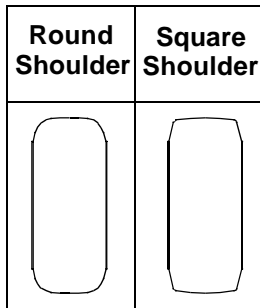
# Model Series 660 Thru 679

Ref. No.	Part No.	Description	Ref. No.	Part No.	Description
1.	17198A	Retainer Plate	28.	738-0919	Steering Shaft
2.	16481A	Steering Arm Front Axle	29.	741-0656	Hex Flg. Brg. .634 I.D.
3.	683-0128A	Pivot Bar Ass'y (Steel)	30.	741-0659	Hex Flg. Brg. .632 I.D.
	719-0342B	Pivot Bar Ass'y (Cast Iron)	31.	747-0861	Tie Rod (Non-Adjustable)
	**	Grease Fitting (Cast Iron)	-	747-1267	Tie Rod (Adjustable)
4.	710-0459A	Hex Bolt 3/8-24 x 1.5" Lg. (Gr. 5)	32.	748-0389	Cap
5.	710-0593	Hex Bolt 5/16-24 x 2.25" Lg.	33.	750-0535	Spacer .380" I.D. x .625" O.D.
6.	710-0643	Hex Bolt 5/16-18 x 1" Lg.	34.	783-0041B	Pivot Bar Bracket
7.	710-0726	Hex Wash. Hd. Self-Tap Scr.	35.	711-1661	Ferrule
8.	710-1039	Hex Hd. Cap Scr. 3/8-24 x 1.0 Gr. 5	36.	714-0470	Cotter Pin 1/8
9.	710-1309	Hex Patch Bolt 5/16-18 x .62"	37.	736-0267	Fl-Wash. 3/8 x .870 I.D. x .060 O.D.
10.	711-1107	Steering Drag Link	38.	731-1649	Axle Cap
11.	712-0158	Hex Cent. L-Nut 5/16-18 Thd.	39.	731-1291A	Pivot Bar End Cap*
12.	712-0214	Hex Cent. L-Nut 3/8-24 Thd.	40.	714-0470	Cotter Pin
13.	712-0240	Jam Nut 7/16-20 Gr. 2	41.	736-0285	Fl-Wash. .635 I.D. x 1.589 O.D.
14.	712-0241	Hex Nut 3/8-24 Gr.5	42.	736-0162	Fl-Wash. .641 I.D. x 1.0 O.D.
15.	712-0262	Hex Jam Nut 3/8-24 Thd.	43.	**	Front Axle Assembly R.H.
16.	712-0411	Hex L-Nut 5/16-24 Thd.	44.	**	Front Axle Assembly L.H.
17.	712-0431	Flanged L-Nut 3/8-16 Thd.	45.	726-0214	Push Cap
18.	717-0622A	Steering Gear Segment	46.	731-0220	Steering Wheel Cap (Round)
19.	723-0448A	Ball Joint 7/16-20 Thd.		731-1460	Steering Wheel Cap (Sq. No Logo)
20.	736-0169	L-Wash. 3.8" I.D.		731-1459A	Steering Wheel Cap (Sq. Logo)
21.	736-0187	Fl-Wash. (Hardened)	47.	731-0954	Steering Bellow
22.	736-0217	L-Wash.	48.	731-1687	Steering Wheel (3 Spoke) †
23.	736-0242	Bell. Wash. .340 I.D. x .872 O.D.		631-0027	Steering Wheel (4 Spoke) ‡
24.	736-0356	Bell. Wash. .39 I.D. x 1.38 O.D.	49.	**	Wheel Assembly Comp.
25.	736-3081	Fl-Wash. .320 x .600 x .060	50.	731-0484A	Front Wheel Hub Cap
26.	738-0141	Shoulder Bolt .437 x .35 Lg.	51.	**	Front Wheel Rim Only
27.	738-0527	Shoulder Bolt			

† Uses Square Steering Wheel Cap

‡ Uses Round Steering Wheel Cap

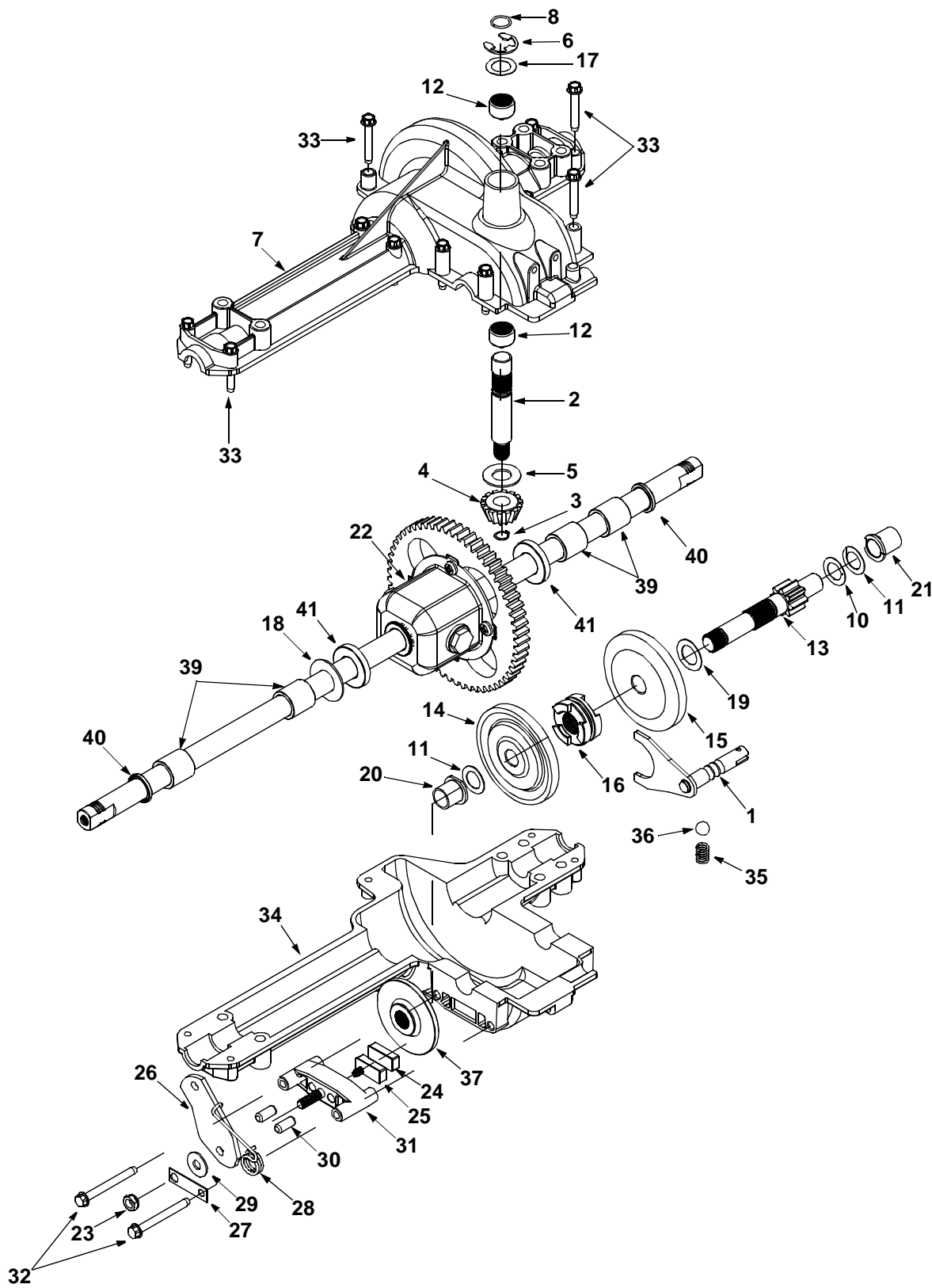
\* If Equipped



## \*\* Front Wheel Chart

Description	15" x 6" (Round Shoulder)	15" x 6" (Square Shoulder)
Wheel Ass'y Comp.	634-0056A	634-0105A
Tire Only	734-0864	734-1731
Rim Only	634-0172	634-0172
Bearing	741-0487A	741-0487A
Air Valve	734-0255	734-0255
Grease Fitting (Optional)	737-0211A	737-0211A
Grease Plug	737-0212A	737-0212A
Front Axle Ass'y-L.H.	683-0127	683-0127
Front Axle Ass'y-R.H.	683-0126	683-0126
Front Axle Ass'y-L.H. (46" Deck)	683-0125	683-0125
Front Axle Ass'y- R.H. (46" Deck)	683-0124	683-0124

# Model Series 660 Thru 679



# Model Series 660 Thru 679

Ref. No.	Part No.	Description	Ref. No.	Part No.	Description
1.	611-0011	Shift Fork Assembly	22.	618-0162	Differential Ass'y
2.	711-1109	Input Shaft	23.	712-0273	Hex Nut 5/16-24 Thd.
3.	716-0108	Retaining Ring	24.	717-0678	Brake Puck
4.	717-1464	Pinion Input 14T	25.	717-0682	Puck Plate
5.	736-0335	Needle Brg. 5/8" I.D. x 1" O.D.	26.	717-0700	Actuating Arm
6.	716-0231	"E" Ring	27.	718-0150	Anti-Rotation Brkt.
7.	719-0367	Upper Housing	28.	732-0742	R.H. Brake Spring
8.	732-0614	Wire Ring	29.	736-0371	FI-Wash. .344 I.D. x .875" O.D.
10	**	Washer	30.	741-0343	Actuating Pin 5/16" Dia.
11.	736-0349	FI-Wash. 5/8" I.D. x 1" O.D. x .020 Thd.	31.	761-0198	Brake Yoke
12.	741-0335	Needle Brg. 5/8" I.D. x 1/2" Lg.	32.	710-1206	Hex Wash. Hd. Self-Tap Scr. 1/4-20
13.	711-1003	Drive Shaft - R.H. Brake	33.	710-1325	Hex Tap Scr. 1/4-20 x 1.625" Lg.
14.	717-1362	Bevel Gear 42T Small I.D.	34.	719-0313B	Lower Housing
15.	717-1363	Bevel Gear 42T Large I.D.	35.	732-0863	Spring Detent
16.	718-0228	Clutch Collar	36.	741-0862	Ball Detent .250" Dia.
17.	**	Washer	37.	761-0202	Brake Disc.
18.	**	Washer	38.	737-0148	Grease-Shell (15 oz.)
19.	736-0519	Thrust Washer	39.	741-0340	Sleeve Bearing 3/4" I.D. 1.0" Lg.
20.	741-0336	Flange Brg. 5/8" I.D. x 3/4" Lg.	40.	721-0338	Oil Sleeve 3/4" I.D.
21.	741-0337	Flange Brg. 5/8" I.D. x 15/16" Lg.	41.	736-0445	FI-Wash. .760" I.D. x 1.5" O.D.

**\*\* Ref. No. 10**

736-0495 Thrust Wash. 5/8" I.D. x 1" O.D. x .025" Thk.  
 736-0336 FI-Wash. 5/8" I.D. x 1" O.D. x .030" Thk.  
 736-0494 Thrust Wash. 5/8" I.D. x 1" O.D. x .035" Thk.  
 736-0337 FI-Wash. 5/8" I.D. x 1" O.D. x .040" Thk.

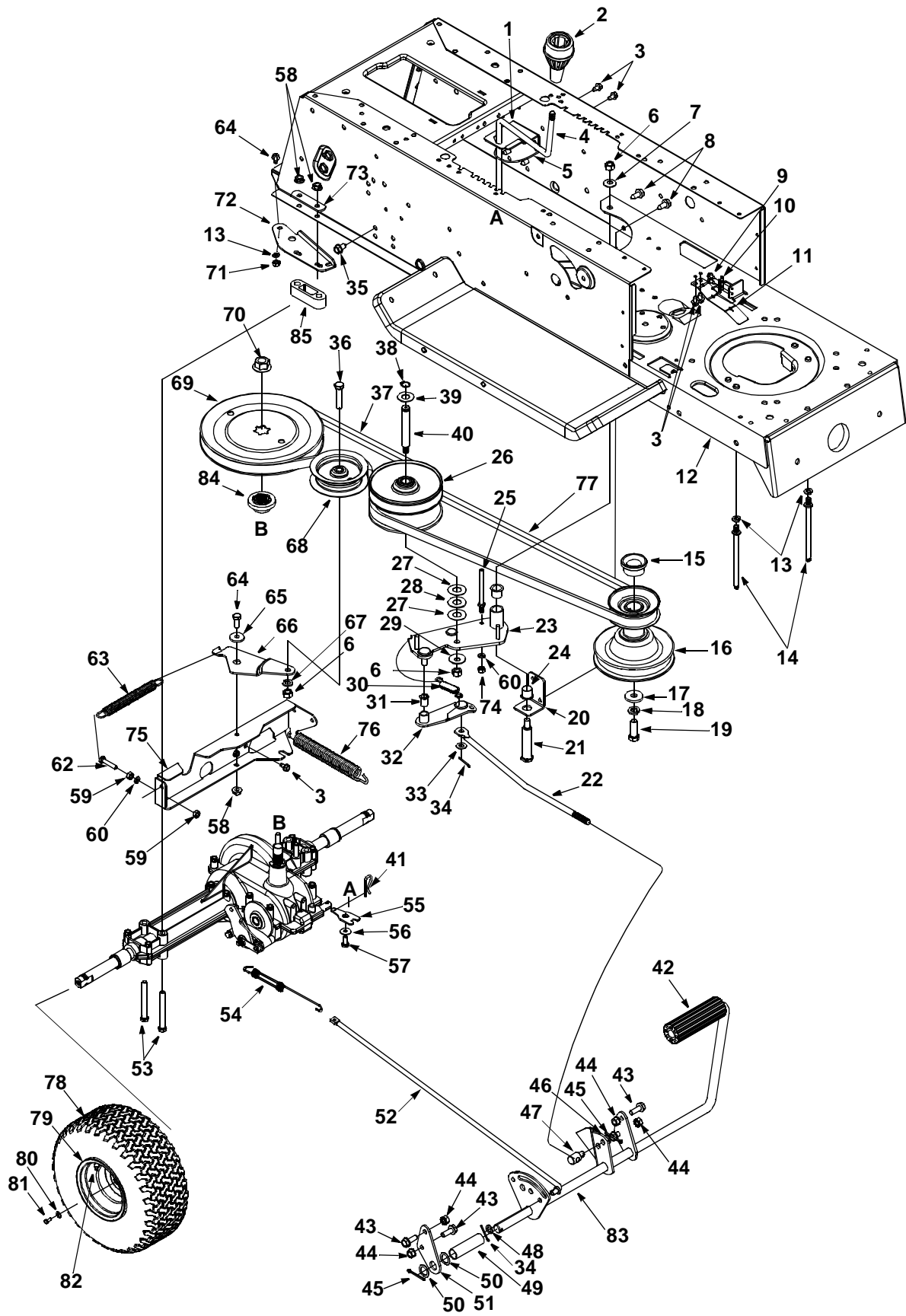
**\*\*Ref. No. 17**

736-0349 FI-Wash. 5/8" I.D. x 1" O.D. x .020" Thk.  
 736-0336 FI-Wash. 5/8" I.D. x 1" O.D. x .030" Thk.  
 736-0337 FI-Wash. 5/8" I.D. x 1" O.D. x .040" Thk.

**\*\*Ref. No. 18**

736-0492 FI-Wash. .76" I.D. x 1.5" O.D. x .010" Thk.  
 736-0493 FI-Wash. .76" I.D. x 1.5" O.D. x .020" Thk.  
 736-0351 FI-Wash. .76" I.D. x 1.5" O.D. x .030" Thk.  
 736-0445 FI-Wash. .76" I.D. x 1.5" O.D. x .060" Thk.

# Model Series 660 Thru 679



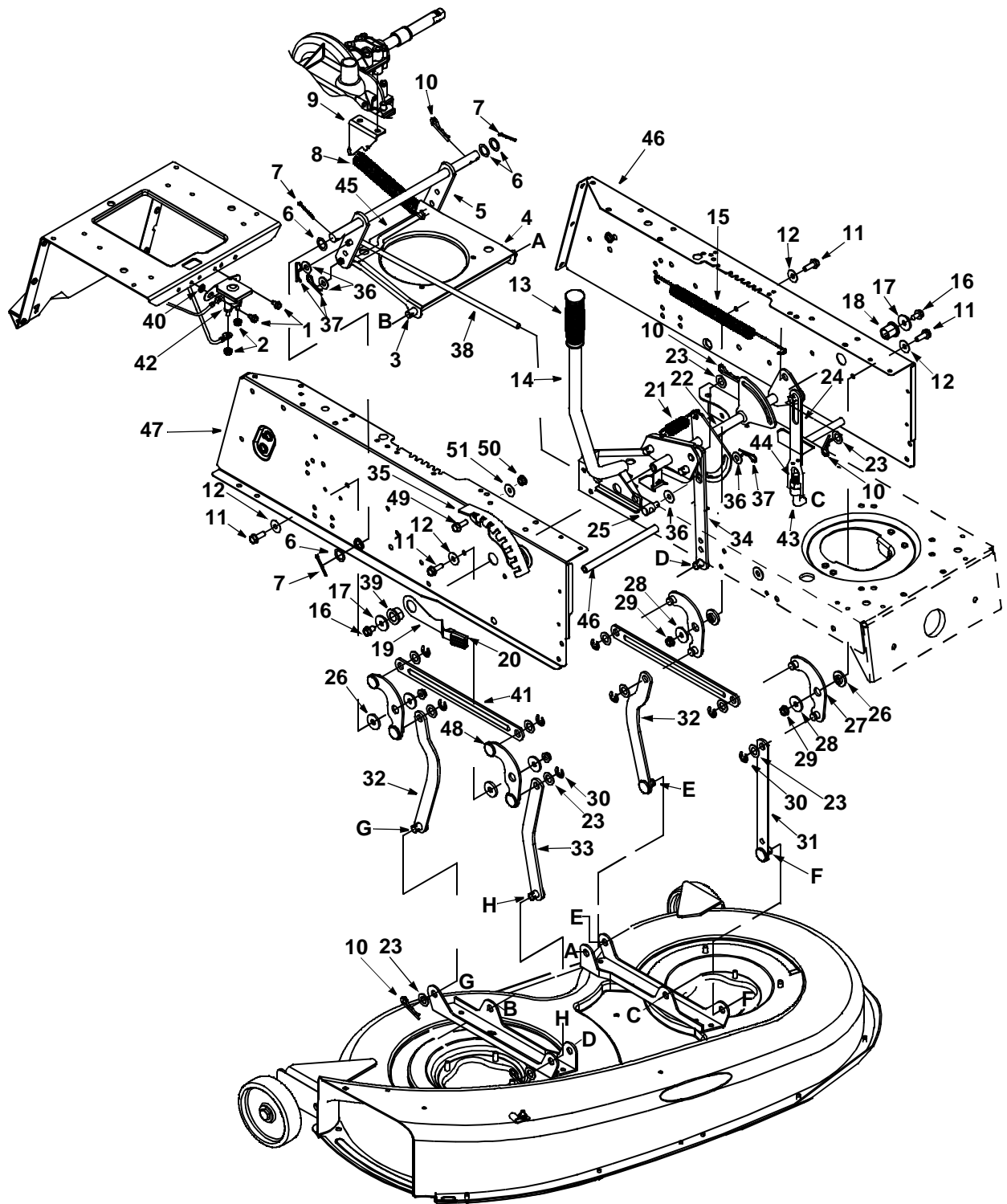
# Model Series 660 Thru 679

Ref. No	Part No.	Description	Ref. No	Part No.	Description
1.	17630	Shift Lever Bracket	48.	736-0140	FI-Wash. .385" I.D. x .62" O.D.
2.	720-0232	Shift Knob	49.	750-0802	Spacer
3.	710-0599	Self Tap. Screw 1/4-20 x .50" Lg.	50.	736-0256	FI-Wash. .635" I.D. x .930 O.D.
4.	17705	Shift Lever Assembly	51.	17860	Pedal Bracket
5.	732-0525	Comp. Spring-Clip	52.	747-0755A	Brake Rod
6.	712-0241	Hex Nut 3/8-24 Thd.	53.	710-0189	Hex Hd. Cap Scr. 5/16-18
7.	736-0105	Bell Wash. .375" I.D.		710-1266	Hex Bolt 5/16-18 x 3.5" ( Used w/ 46" Deck Ass'y)
8.	710-0726	AB-Tap Scr. 5/16-18 x .75" Lg.	54.	732-0413	Ext. Spring
9.	710-0224	AB-Tap Scr. #10-16 x .5" Lg.		732-0642	Ext. Spring (Used w/ 46" Deck)
10.	17962	Switch Plate	55.	17707	Shift Link Assembly
11.	732-0750A	Switch Spring Actuator	56.	736-0270	Bell Wash. .265 x .75
12.	783-0310E	Lower Frame	57.	710-0195	Hex Hd. Cap Screw 1/4-28
13.	736-0119	L-Wash. 5/16" I.D.	58.	712-3004A	Flange L-Nut 5/16-18 Thd.
14.	711-1044	Belt Guard Pin 4.75" Lg.	59.	712-0138	Hex Nut 1/4-28 Thd.
15.	750-0956	Spacer 1" I.D. x 1.25" Lg.	60.	736-0329	L-Wash. 1/4" I.D.
16.	756-0982B	Engine Pulley	62.	710-0428	Hex Hd. Cap Screw 1/4-28
17.	736-0322	FI. Wash. .450" I.D.	63.	732-0384	Extension Spring
18.	736-0171	L-Wash. 7/16" I.D.	64.	710-3008	Hex Hd. Cap Screw 5/16-18
19.	710-3029	Hx Hd. Cap Scr. 7/16-20 x 1.25" Lg.	65.	748-0234	Shoulder Spacer
20.	17963	Bearing Shaft Bracket Ass'y	66.	17643	Idler Brkt.
21.	738-0755	Shoulder Screw		17694	Idler Brkt. (Used w/ 46" Deck)
22.	747-0530A	Speed Control Link	67.	736-0169	L-Wash. 3/8" I.D.
23.	16354B	Variable Speed Brkt. Ass'y	68.	756-0643A	Flat Idler Pulley
24.	741-0495	Flange Brg. 5/8" I.D. x .88" Lg.	69.	756-0665	V Pulley
25.	711-1000	Belt Keeper 3" Lg.	70.	712-0700	Flange Nut 9/16
26.	717-0800A	Variable Speed Pulley Ass'y	71.	712-3010	Hex Nut 5/16-18 Thd.
27.	736-0355	FI-Wash.	72.	17668	Axle Support Brkt. R.H.
28.	741-0405	Thrust Bearing .56" I.D. x 1.25"		17669	Axle Support Brkt. L.H.
29.	736-0331	Bell Wash. .390" I.D. x 1.13"	73.	17840	Transaxle Mounting Brkt.
30.	732-0568	Extension Spring	74.	712-3006	Hex Nut 1/4-20 Thd.
31.	741-0419	Flange Bearing	75.	17629A	Transaxle Support Brkt.
32.	16554A	Variable Speed Torque Brkt. Ass'y	76.	732-0556	Ext. Spring
33.	736-0275	FI-Wash. .344" I.D.	77.	754-0280A	V-Belt
34.	714-0111	Cotter Pin	78.	**	Rear Wheel Assembly Comp.
35.	710-0604A	TT-Tap Scr. 5/16-18 x .625" Lg.	79.	**	Rear Wheel Rim Assembly
36.	710-0539	Hex Hd. Cap Scr. 3/8-24 x 1.75" Lg.	80.	736-0242	Bell Wash. .340 I.D. x .872 O.D.
37.	754-0370	V-Belt	81.	710-0627	Hex Hd. Cap Scr. 5/16-24
38.	716-0114	Snap Ring .56" Dia.	82.	734-0255	Air Valve (Service Only)
39.	736-0414	FI-Wash. .570" I.D. x .120" Lg.	83.	683-0123	Clutch Brake Pedal Ass'y
40.	738-0569	Shaft .56" Dia. x 3.79" Lg.	84.	718-0758	Pulley Hub Splined
41.	714-0209	Internal Cotter Pin	85.	748-0334	Spacer (Used w/46" Deck)
42.	735-0196	Foot Pad			
43.	710-1238	TT-Tap Scr. 5/16-18 x .75"			
44.	712-0265	Sems Nut 5/16-18			
45.	714-0470	Cotter Pin 1/8- 1.25			
46.	736-0140	FI-Wash .385" I.D. x .62" O.D.			
47.	711-0198	Ferrule			

**\*\* Rear Wheel Assembly**

Description	20" x 8.0" (Round Shoulder)	20" x 8.0" (Square Shoulder)
Wheel Ass'y. Comp.	734-1675	634-0104
Tire Only	734-1596	734-1730
Rim Only	634-0070	634-0070

# Model Series 660 Thru 679

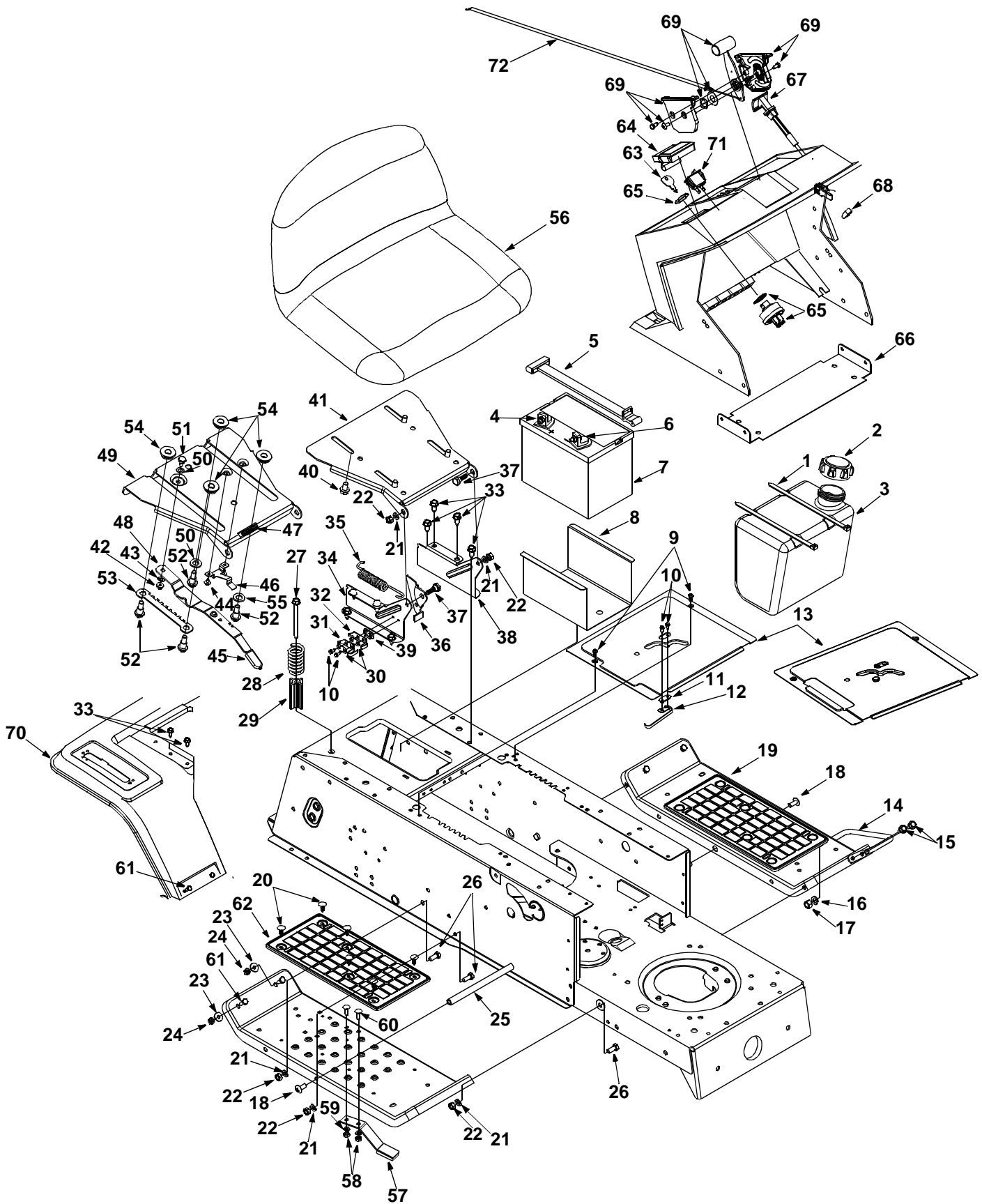


# Model Series 660 Thru 679

Ref. No.	Part No.	Description	Ref. No.	Part No.	Description
1.	710-0599	Self Tap Screw 1/4-20 x .50" Lg.	27.	683-0029A	Pivot Link Ass'y -L.H.
2.	712-0271	Sems Hex Nut 1/4-20	28.	736-0231	FI-Wash. .344 I.D. x .125 O.D.
3.	738-0670A	Shaft 1/2" Dia. x 10.50" Lg.	29.	712-3004A	Flange L-Nut 5/16-18 Gr. 5
4.	17636D	Stablizer Bracket	30.	716-0104	"E" Ring
5.	17624	Stablizer Shaft Assembly	31.	14804A	Deck Hanger Link Ass'y
6.	736-0256	FI-Wash. .635 I.D. x .930 I.D.	32.	17710	Deck Hanger Link Ass'y
7.	714-0470	Cotter Pin 1/8" Dia.	33.	14800A	Deck Hanger Link Ass'y
8.	732-0556	Extension Spring 7.58" Lg.	34.	14802A	Link Deck Lift Ass'y
9.	17128A	Spring Retainer Brkt.	35.	17730	Index Brkt.
10.	714-0147	Cotter Pin	36.	736-0267	FI-Wash.
11.	710-1238	TT-Tap Scr. 5/16-18 x .75" Lg.	37.	714-0145	Hairpin Clip
12.	736-0425	Bell-Wash. .325" I.D.	38.	747-0598	Deck Belt Disengagement Rod
13.	720-0233	Grip (Lift Handle)	39.	748-0176	Flange Bearing .83 I.D. x .62 O.D.
14.	17675A	Deck Lift Handle Ass'y	40.	736-0222	L-Wash.
15.	732-0638	Extension Spring	41.	783-0103	Connecting Rod
16.	710-0604A	TT-Tap Scr. 5/16-18 x .625" Lg.	42.	725-1426	Solenoid
17.	736-0231	FI-Wash. .344 I.D. x 1.25 O.D.	42.	711-0841	Lift Link Adjuster
18.	741-0487A	Flange Bearing .632 I.D.	43.	712-3066	Hex Nut 1/2-20 Thd. (Gr. 5)
19.	683-0003	Hgt. Adj. Stop Lever Ass'y (Incl. #20)	44.	738-0669	Shaft 3/8" Dia. x 9.34" Lg.
20.	08540	Knob†	45.	738-0526	Running Board Rod
21.	732-0637	Extension Spring	46.	783-0043B	Upper Frame L.H.
22.	17637A	Lift Shaft Assembly	47.	783-0042D	Upper Frame R.H.
23.	736-0160	FI-Wash. .53 I.D. x .93 O.D.	48.	683-0028A	Pivot Link Assembly- R.H.
24.	17712	Adjustable Deck Lift Link	49.	710-3008	Hex Bolt 5/16-18 x .75" Lg.
25.	711-0723A	Ferrule 3/8-24 x .375 Dia.	50.	712-3010	Hex Nut 5/16-18 Thd.
26.	748-0331	Shoulder Spacer .318" Dia.	51.	736-0119	Lock Washer 5/16" I.D.

† Optional

# Model Series 660 Thru 679



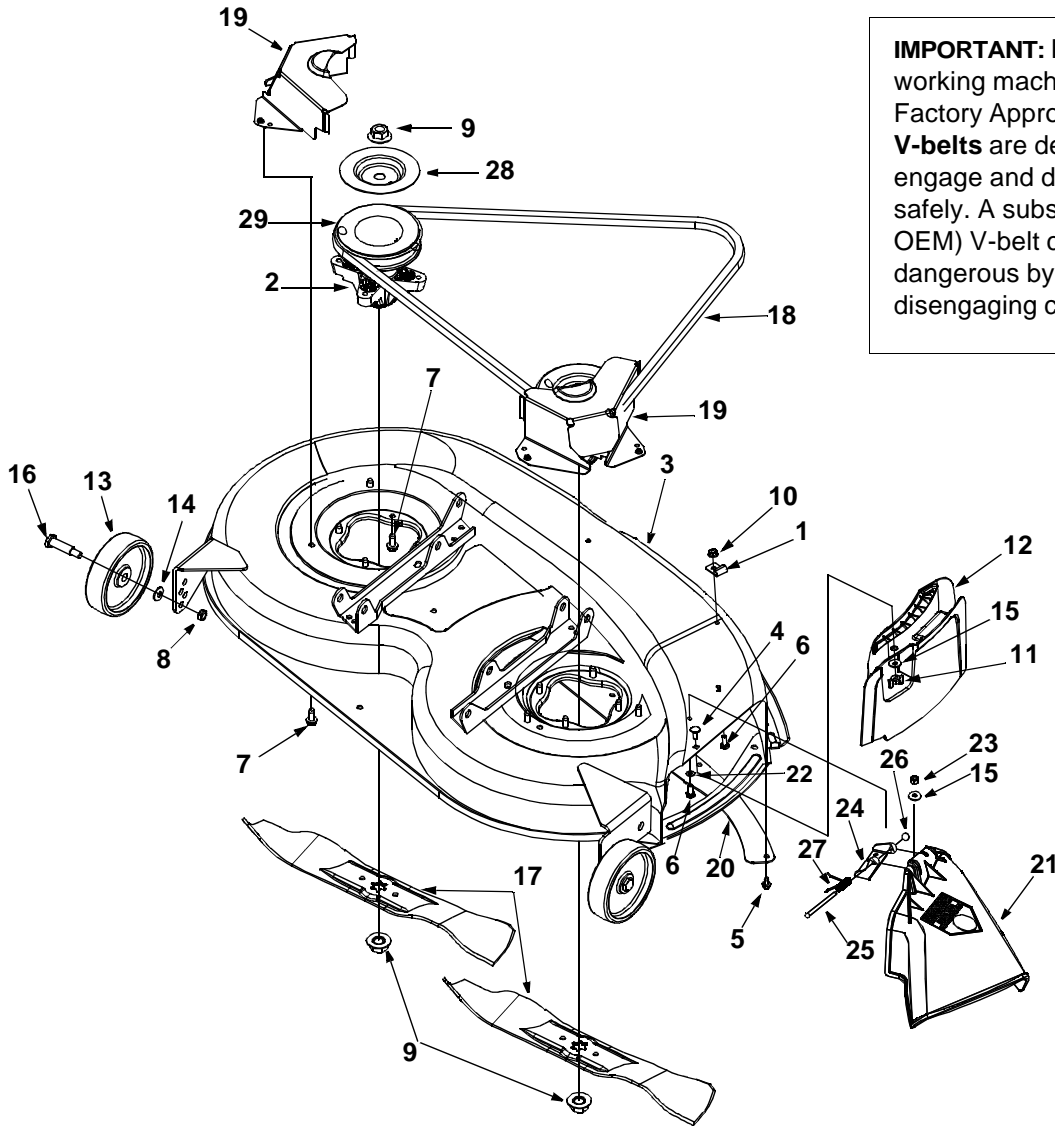


# Model Series 660 Thru 679

Ref. No.	Part No.	Description	Ref. No.	Part No.	Description
1.	726-0209	Cable Tie	41.	783-0039A	Seat Pivot Brkt.
2.	751-0603	Fuel Cap	42.	712-3027	Hex Flanged L-Nut 1/4-20 Thd.*
3.	751-0553	Fuel Tank 1.25 Gal.	43.	736-0175	Spring Wash. .265 I.D. x .562 O.D.*
	751-0555	Fuel Tank 1.50 Gal.	44.	710-1268	Hex Wash. Hd. B-Tap Scr. *
	751-0657	Fuel Tank 3 Gal.	45.	720-0309A	Seat Adj. Grip*
4.	712-0271	Sems Hex Nut 1/4-20 Thd.	46.	783-0611	Seat Adj. Stop*
5.	723-3064	Battery Strap	47.	732-0499	Compression Spring*
6.	710-3015	Hex Hd. Cap Screw 1/4-20 Gr. 5	48.	783-0609	Seat Adj. Lever*
7.	725-1707D	Battery	49.	783-0607A	Pivot Seat Brkt.*
8.	783-0345	Battery Tray	50.	736-0204	FI-Wash. .344 I.D. x .62 O.D.*
9.	710-0351	Truss Mach. B-Tap Scr. #10 x .5" Lg.	51.	738-0137A	Shoulder Bolt .34" x 1/4-20 Thd.*
10.	710-0227	Hex AB-Tap Scr. #8 x .50" Lg.	52.	738-1007	Shoulder Scr. 3/8-16*
11.	726-0320	Insulatop Nut Plate	53.	783-0753	Seat Adj. Selector*
12.	725-1643	Reverse Safety Switch	54.	731-1989	Seat Adj. Spacer*
13.	17286B	Shift Cover	55.	736-0192	FI-Wash. .344 I.D. x .62 O.D.
	17954B	Shift Cover w/Cutout	56.	757-0363A	Low Back Black Seat
14.	747-1216	Stop Rod		757-0360A	Med. Back Black Seat
15.	710-0604A	TT-Tap Scr. 5/16-18 x .625" Lg.		757-0348A	High Back Black Seat
16.	736-0169	L-Wash. 3/8		757-0350	High Back Black w/Drain Holes
17.	712-3017	Hex Nut 3/8-16 Thd. Gr. 8	57.	761-0168B	Blade Brake Assembly
18.	710-0323	Truss Mach. Scr. 5/16-18 x .75"	58.	712-3006	Hex Nut 1/4-20 Thd.
19.	17770E	Running Board (R.H. & L.H.)	59.	736-0329	L-Wash. 1/4" I.D.
20.	726-3046	Ratchet Clip	60.	710-0703	Carriage Bolt 1/4-20 x .62" Lg.
21.	736-0119	L-Wash. 5/16" I.D.	61.	710-0751	Hex Hd. Cap Scr. 1/4-20 x .62" Lg.
22.	712-3010	Hex Nut 5/16-18 Thd.	62.	735-0689A	Rubber Foot Pad
23.	736-0270	Bell-Wash. .265" I.D. x .75" O.D.	-	723-0422A	Abrasive Foot Pad (Not Shown)
24.	712-3006	Hex Nut 1/4-20	63.	725-0201	Ignition Key
25.	738-0526	Running Board Rod	64.	725-0925	Ammeter*
26.	710-3008	Hex Bolt 5/16-18 x .75" Lg.	65.	725-0267	Ignition Switch
27.	710-1208	Hex Tap Scr. 5/16-18 x 3.25" Lg.	66.	17632B	Gas Tank Support Brkt.
28.	732-0735	Compression Spring	67.	746-0720	Choke Control 20"
29.	748-0347A	Spring Spacer		746-0616A	Choke Control 23"
30.	726-0279	Insulator Plate		746-3021	Choke Control 29"
31.	725-1303	Outer Spring Switch Spring		746-0614A	Choke Control 38"
32.	725-1439	Inner Spring Switch Spring		746-0613A	Choke Control 46"
33.	710-0726	Hex Wash. AB Scr. 5/16-12 x .75"	68.	17782	Choke Retainer
34.	17950A	R. H. Pivot Seat Support Brkt.	69.	831-0823A	Throttle Box Ass'y
35.	732-0581B	Extension Spring	70.	17870A	Fender
36.	17239A	Seat Lift Brkt.		17871B	Fender w/Cutout
37.	738-0296	Shoulder Bolt .437" Dia. x .268"	71.	725-0634	Light Switch*
38.	17951A	L.H. Pivot Seat Support Brkt.	72.	746-0776	Throttle Control Wire 18.5"
39.	726-0278	Insulator Boss Plate		746-0638	Throttle Control Wire 22"
40.	710-0870	Hex Tap Scr. 3/8-16 x .62" Lg.		746-0636	Throttle Control Wire 28"
				746-0634	Throttle Control Wire 35"

\* Optional

# 38" Deck "F"



**IMPORTANT:** For a proper working machine, use Factory Approved Parts. **V-belts** are designed to engage and disengage safely. A substitute (non OEM) V-belt can be dangerous by not disengaging completely.

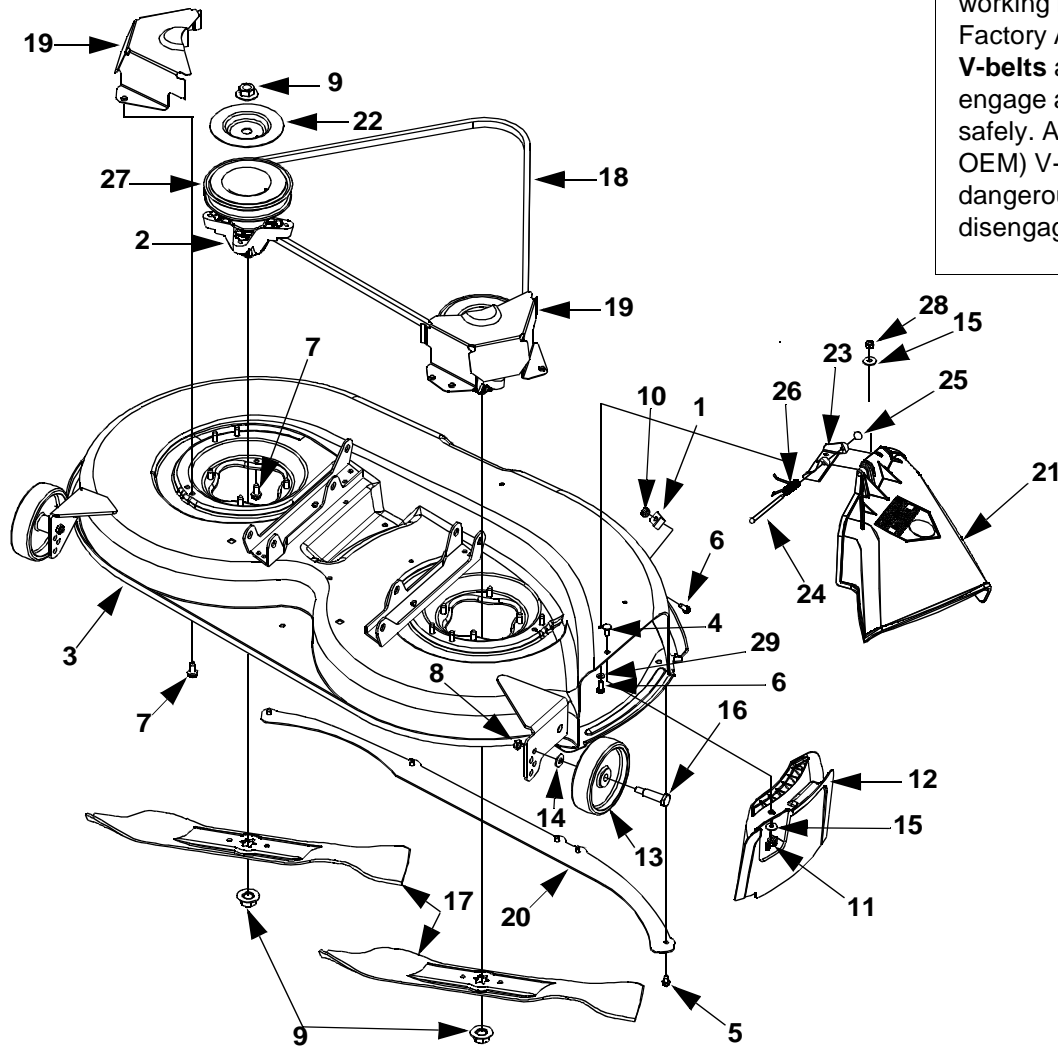
Ref. No.	Part No.	Description	Ref. No.	Part No.	Description
1.	16606	Retainer Hook Brkt.	16.	738-0373	Shoulder Screw
2.	683-0138A	Blade Spdl Ass'y	17.	742-0610	3 in 1 blade
3.	683-0129A	Deck Assembly**	-	742-0654	2 in 1 blade (For bagging and side dischrg)
	753-0694	38" Deck Ass'y Comp. (For Service)**	18.	754-0329A	V Belt
4.	710-0134	Carriage Screw 1/4-20 Thd. Gr.2	19.	783-0343A	Belt Guard
5.	710-0599	Hex Wash. Hd. TT-Tap Scr. 1/4-20 Thd.	20.	783-1297	Deck Skirt
6.	710-0751	Hex Bolt 1/4-20 x .62" Lg.	21.	731-1032B	Chute Ass'y (Incl. Ref. 24,25,26, 27)
7.	710-1260A	Hex Wash. TT-Tap Scr. 5/16-18 x .75"	-	731-1031B	Chute Deflector
8.	712-0181	Hex Top L-Nut 3/8-16 Thd.	22.	726-0233	Push Nut
9.	712-0417A	Hex Flange Nut 5/8-16 Thd. ‡	23.	712-3006	Hex Nut 1/4-20 Gr. 5
10.	712-3027	Hex Flange Nut 1/4-20 Thd.	24.	703-1693A	Hinge Mounting Brkt.
11.	712-3087	Wing Nut 1/4-20 †	25.	711-0792	Hinge Pin
12.	731-2363	Mulch Plug †	26.	726-0106	Speed Nut Cap
13.	734-0973	Deck Wheel	27.	732-0602A	Torsion Spring
14.	736-0105	Bell-Wash. .40" I.D. x .88" O.D.	28.	783-0342	Brake Disc
15.	736-0270	Bell-Wash. 1/4" I.D. †	29.	756-1187	5" Dia. Pulley ‡

† Optional

‡ Deck pulley and blade nuts must be torqued to 100 ft. lbs. if removed or replaced.

\*\* Must be ordered with 4 digit color code.

# 42" Deck "G"



**IMPORTANT:** For a proper working machine, use Factory Approved Parts. **V-belts** are designed to engage and disengage safely. A substitute (non OEM) V-belt can be dangerous by not disengaging completely.

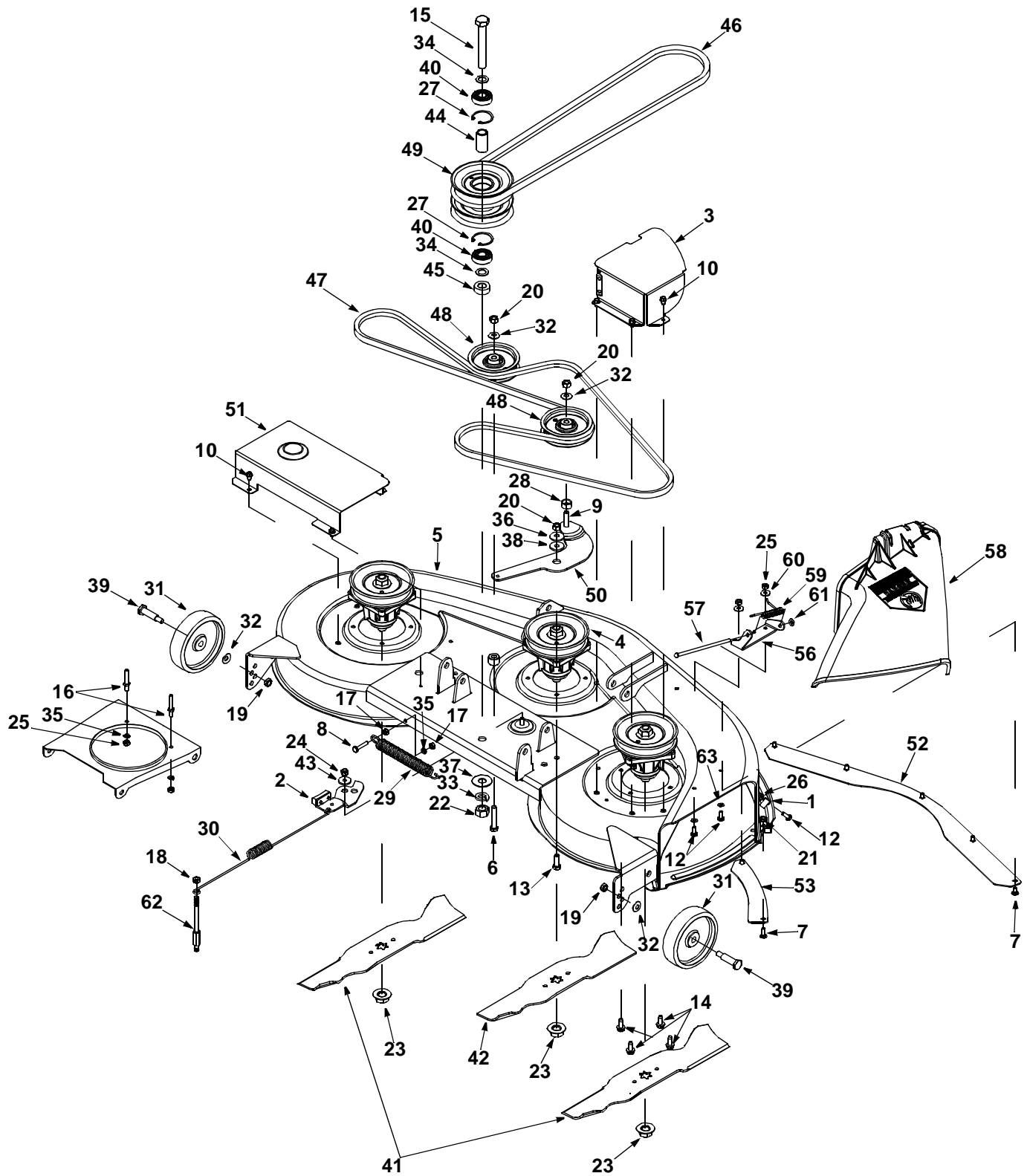
Ref. No.	Part No.	Description	Ref. No.	Part No.	Description
1.	16606	Retainer Hook Brkt.	16.	738-0373	Shoulder Screw
2.	618-0142A	Blade Spindle Ass'y	17.	742-0616	3 in 1 blade
3.	683-0141B	42" Deck Assembly**	-	742-0656	2 in 1 blade (For bagging and side dischrg)
-	753-0698	42" Deck Ass'y Comp. (For Service)**	18.	754-0371A	V Belt
4.	710-0134	Carriage Bolt 1/4-20 Lg.	19.	783-0149B	Belt Guard
5.	710-0599	Hex Wash. Hd. TT-Tap Screw 1/4-20 Thd.	20.	783-1146A	Deck Skirt
6.	710-0751	Hex Bolt 1/4-20 x .62"	21.	731-1032B	Chute Ass'y (Incl. Ref. 23,24,25,26)
7.	710-1260A	Hex Wash. TT-Tap Scr. 5/16-18 x .75"	-	731-1031B	Chute Deflector
8.	712-0181	Jam Nut 3/8-16	22.	783-0342	Brake Disc.
9.	712-0417A	Hex Flange Nut 5/8-18 Thd. ‡	23.	703-1693A	Hinge Mounting Brkt.
10.	712-3027	Hex Flange Nut 1/4-20 Thd.	24.	711-0792	Hinge Pin
11.	712-3087	Wing Nut 1/4-20 †	25.	726-0106	Speed Nut Cap
12.	731-2363	Mulch Plug †	26.	732-0602A	Torsion Spring
13.	734-0973	Deck Wheel-5"	27.	756-1188	5.75" Dia. Pulley ‡
14.	736-0105	Bell-Wash. .40" I.D. x .88" O.D.	28.	712-3006	Hex Nut 1/4-20 Gr. 5
15.	736-0270	Bell-Wash. 1/4 I.D. †	29.	726-0233	Push Nut

† Optional

‡ Deck pulley and blade nuts must be torqued to 100 ft. lbs. if removed or replaced.

\*\* Must be ordered with 4 digit color code.

# 46" Deck "H"



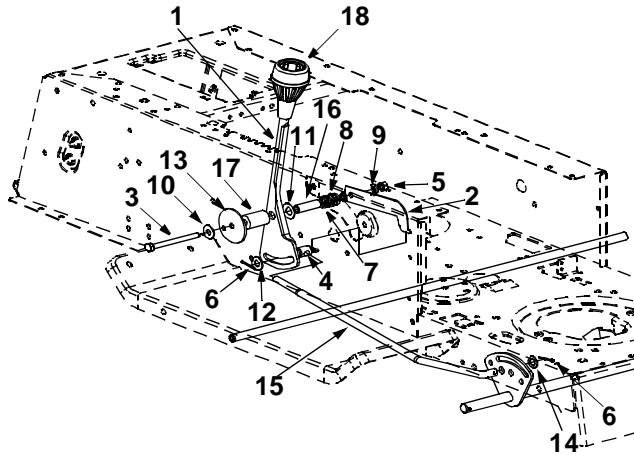
# 46" Deck "H"

Ref. No.	Part No.	Description	Ref. No.	Part No.	Description
1.	16606	Retainer Hook Brkt.	32.	736-0105	Bell-Wash 3/8" x .87" x .064"
2.	17116	Deck Deck Brake Brkt Ass'y	33.	736-0158	L-Wash. 5/8" I.D.
3.	17258C	Belt Cover	34.	736-0290	Fl-Wash. .635" I.D. x 1" O.D.
4.	618-0240A	Spindle Ass'y	35.	736-0329	L-Wash. 1/4" I.D.
5.	983-0120A	46" Deck Ass'y**	36.	736-0331	Bell-Wash. 3/8" x 1.125" x .062"
	913-06921	46" Deck Ass'y Comp. (For Svc.)**	37.	736-3088	Fl-Wash. .635" I.D.
6.	710-0151	Hex Bolt 3/8-24 x 2" Lg.	38.	738-0347	Shoulder Spacer .625" I.D.
7.	710-0167	Carriage Bolt 1/4-20 x .5" Lg.	39.	738-0373	Shld. Bolt .498" x 1.525"
8.	710-0428	Hex Bolt 1/4-28 x 1.25" Lg.	40.	741-0524	Ball Brg. .625" I.D. x 1.574" O.D.
9.	710-0459A	Hex Bolt 3/8-24 x 2" Lg.	41.	742-0644	Blade 16.28" Lg. (L.H. & R.H.)
10.	710-0599	Hex Wash. Hd. TT-Tap Scr.	42.	742-0645	Blade 14.88" Lg. (Middle)
12.	710-0751	Hex Bolt 1/4-20 x .62" Lg.	43.	748-0234	Shoulder Spacer
13.	710-1039	Hex Bolt 3/8-24 x 1" Lg.	44.	750-0932A	Spacer .635" I.D. x .088" O.D.
14.	710-1260A	Hex Flange Bolt 5/16-24 x .75"	45.	750-0960	Spacer .635" I.D. x 1" O.D.
15.	710-3151	Hex Bolt 5/8-18 x 4.25" Lg.	46.	754-0439	V Belt
16.	711-0993	Belt Guard Pin	47.	754-0440	V Belt
17.	712-0138	Hex Nut 1/4-28 Thd.	48.	756-0627B	Idler Pulley
18.	712-0158	Hex Center L-Nut 5/16-18	49.	756-0638	Pulley Double Deck
19.	712-0181	Hex Top Jam Nut 3/8-16 Thd.	50.	783-0046	Idler Deck Bracket
20.	712-0241	Hex Nut 3/8-24 Gr. 5	51.	783-0063A	Belt Cover L.H.
21.	712-0271	Hex Sems Nut 1/4-20	52.	783-0141	46 " Deck Skirt Center
22.	712-0337	Hex Nut 5/8-18 Gr.5	53.	783-0142	46" Deck Skirt R.H.
23.	712-0417A	Hex Flange L-Nut 5/8-18 Thd.	56.	703-1693A	Hinge Brkt.
24.	712-0429	Hex Ins. L-Nut 5/16-18 Thd.	57.	711-0792	Hinge Pin
25.	712-3006	Hex Nut 1/4-20 Gr.5	58.	731-1032B	Chute Ass'y Comp.
26.	712-3027	Hex Lock Nut 1/4-20			(Incl. 12, 56, 57,59, 60, 61, 62, 63, )
27.	716-3020	Internal Snap Ring	-	731-1031B	Chute Deflector
28.	731-1490	Slide Cap	59.	732-0602A	Torsion Spring
29.	732-0594A	Ext. Spring .88" O.D. x 6.17"	60.	736-0270	Bell. Wash. .265 x.75
30.	732-0723	Ext. Spring .788" O.D. x 15.5"	61.	726-0106	Speed Nut Cap
31.	734-0973	Deck Wheel-5"	62.	738-0999	Return Spring Stud
			63.	726-0233	Push Nut

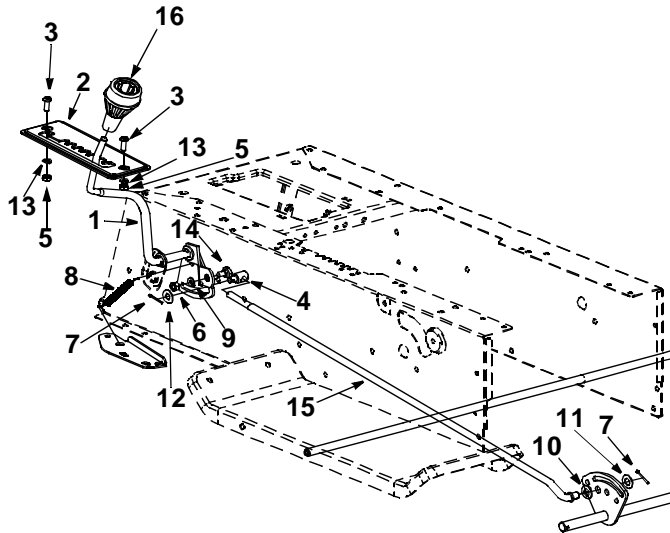
\*\* Must be ordered with 4 digit color code.

**IMPORTANT:** For a proper working machine, use Factory Approved Parts. **V-BELTS** are specially designed to engage and disengage safely. A substitute (non OEM) V-belt can be dangerous by not disengaging completely.

# Model Series 660 Thru 679



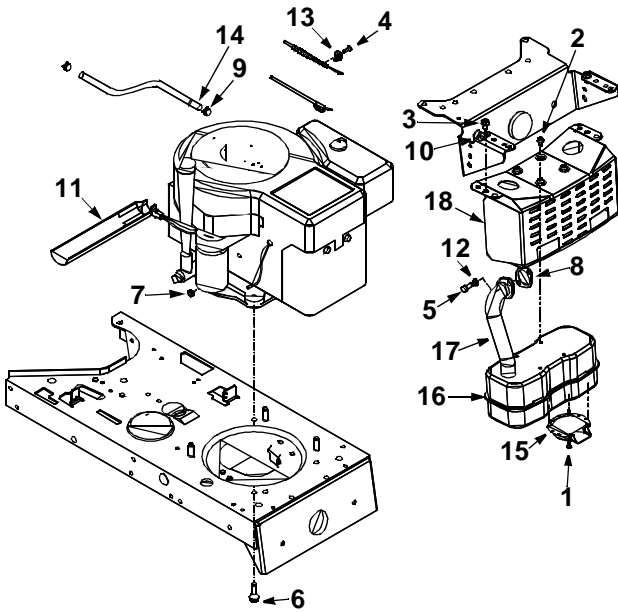
Ref. No	Part No.	Description
1.	17888A	Speed Selector Lever
2.	17956	Shift Lever Support
3.	710-3056	Hex Bolt 5/16-18 x 3.25" Lg.
4.	711-0198	Ferrule 3/8-24 Thd.
5.	712-3010	Hex Nut 5/16-18 Thd.*
6.	714-0111	Cotter Pin 3/32" Dia. x 1"
7.	726-0201	Speed Nut 5/16-18 Thd.*
8.	732-0645	Compression Spring
9.	736-0119	L-Wash. 5/16" I.D.*
10.	736-0159	FI-Wash. .345" I.D. x .88"
11.	736-0253	Bell-Wash. .505" I.D. x 1"
12.	736-0300	FI-Wash. .385" I.D. x .87"
13.	736-0418A	FI-Wash. .34" I.D. x 2.25"
14.	736-3024	FI-Wash. .469" I.D. x .75"
15.	747-0787	Speed Control Rod
16.	750-0662	Spacer 1.56" Lg.
17.	750-0913	Spacer 1.46" Lg.
18.	720-0232	Shift Knob



Ref. No	Part No.	Description
1.	16192A	Speed Selector Lever Ass'y
2.	16194A	7-Speed Selector Plate
3.	710-0924	Truss Mach. Scr. 1/4-20 x .75" Lg.
4.	711-1098	Ferrule 3/8-24 Thd.
5.	712-3006	Hex Nut 1/4-20 Thd. (Gr. 5)
6.	712-3010	Hex Nut 5/16-18 Thd. (Gr. 5)
7.	714-0111	Cotter Pin 3/32" Dia. x 1.0"
8.	732-0303	Spring .38" O.D. x 3.18" Lg.
9.	736-0119	L-Wash. 5/16" I.D.
10.	736-0192	FI-Wash. .53" I.D. x .93"
11.	736-0226	FI-Wash. .469" I.D. x .88"
12.	736-0300	FI-Wash. .385" I.D. x 7/8"
13.	736-0329	L-Wash. 1/4" I.D.*
14.	738-0155	Shoulder Bolt
15.	747-0503A	Speed Control Rod
16.	720-0218	Shift Knob

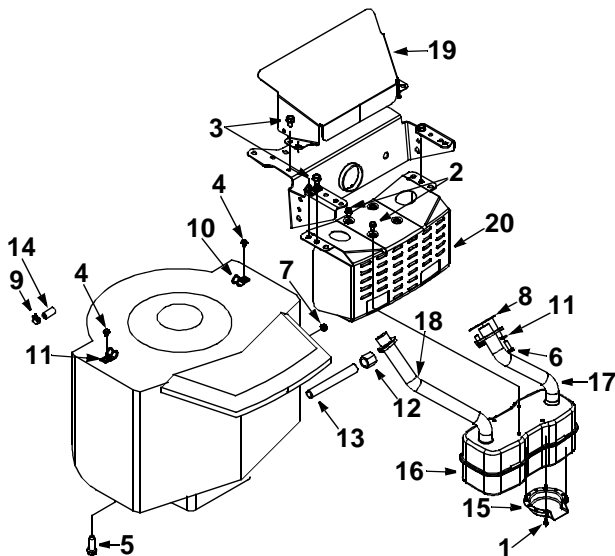
# Model Series 660 Thru 679

## Over Head Valve



Ref. No.	Part No.	Description
1.	710-0148	Hex Tap Scr. #8-32 x .38" Lg.
2.	710-0599	Hex TT-Tap Scr. 1/4-20 x .5" Lg.
3.	710-0604A	Hex TT-Tap Scr. 5/16-18 x .62"
4.	710-1237	Hex Wash. Scr. #10-32 x .62"
5.	710-1314	Socket Head Scr. 5/16-18 x .62"
6.	710-1315	Hex TT-Tap Scr. 3.8-16 x 1.25"
7.	712-0271	Hex Sems Scr. 1/4-20
8.	721-0208	Gasket
9.	726-0205	Hose Clamp
10.	726-0272	Clamp
11.	731-1682A	Oil Drain Sleeve
12.	736-0119	Lock Washer 5/16 I.D.
13.	751B213146	Casing Clamp
14.	751-0535-12	Fuel Line
15.	751-0564	Muffler Deflector
16.	751-0617	Muffler
17.	751-0619	Exhaust Pipe
18.	783-0615B	Muffler Brkt.

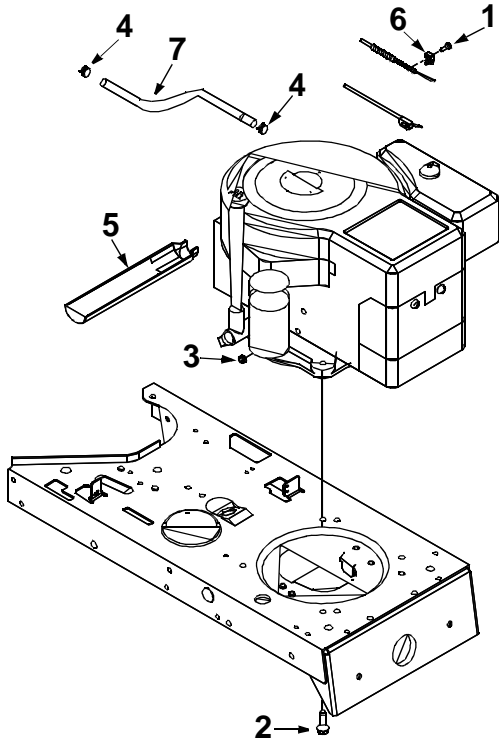
## Twin Cyclinder



Ref. No	Part No.	Description
1.	710-0148	Hex Tap Scr. #8-32 x .38" Lg.
2.	710-0599	Hex Wash. TT-Tap Scr. 1/4-20 x 5" Lg.
3.	710-0604A	Hex Wash. TT-Tap Scr. 5/16-18 x .62" Lg.
4.	710-1268	Hex Hd. Tap Screw
5.	710-1315	Hex Hd. Tap Scr. 3.8-16 x 1.25" Lg.
6.	710-3015	Hex Bolt 1/4-20 x /75" Lg.
7.	712-0271	Hex Sems Nut 1/4-20 Thd.
8.	721-0346	Exhaust Gasket
9.	726-0205	Hose Clamp
10.	726-0272	Clamp
11.	736-0329	Lock Washer 1/4" I.D.
12.	737-0143	Oil Drain Cap
13.	737-0164	Pipe Nipple 3.8 x 18 NPT
14.	751-0535	Fuel Line Hose
15.	751-0564	Deflector: Muffler
16.	751-0616	Muffler
17.	751-0623	Exhaust Pipe - L.H.
18.	751-0624	Exhaust Pipe - R.H.
19.	783-0357B	Heat Shield
20.	783-0615B	Muffler Bracket

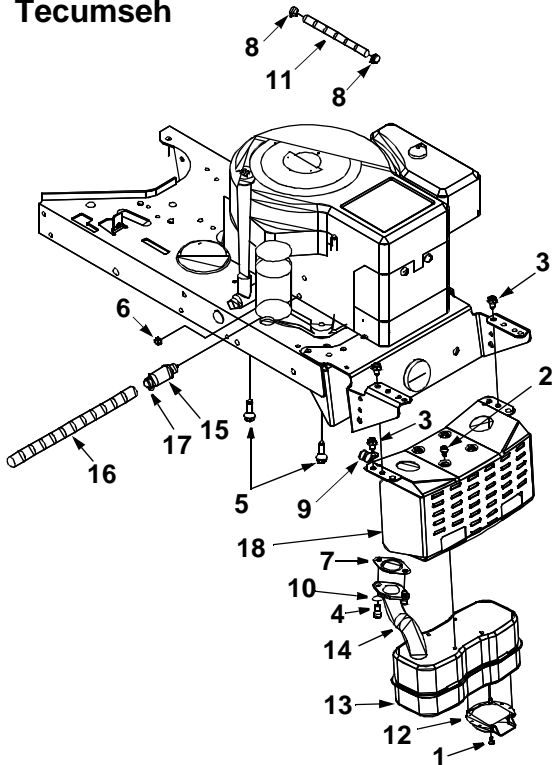
# Model Series 660 Thru 679

## Single Cylinder



Ref. No.	Part No.	Description
1.	710-1237	Screw
2.	710-1315	Hex Wash. Hd. TT-Scr. 3.8-16 x 1.25"
3.	712-0271	Hex Sems Nut 1/4-20 Thd.
4.	726-0205	Hose Clamp
5.	731-1682A	Oil Drain Sleeve
6.	751B213146	Casing Clamp
7.	751-0535	Fuel Line
8.	751-0302	Muffler (Not shown)
9.	712-0250	Conduit L-Nut (Not shown)

## Tecumseh

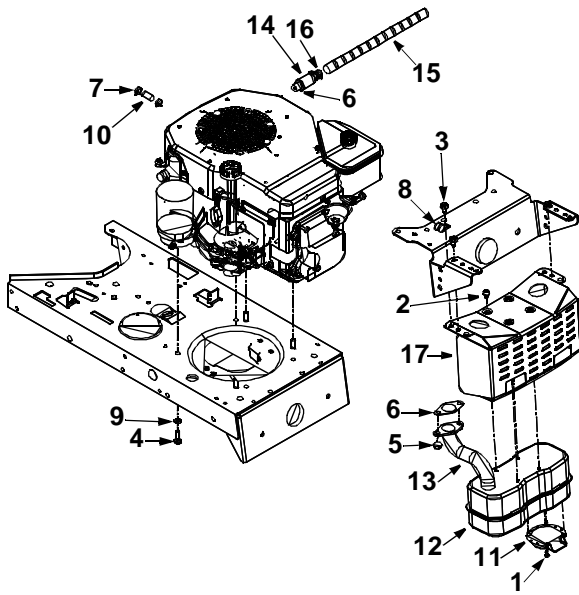


Ref. No.	Part No.	Description
1.	710-0148	Hex Bolt #8-32 x .38" Lg.
2.	710-0599	Hex Wash. Hd. TT-Scr. 1/4-20 x .5" Lg.
3.	710-0604A	Hex Wash. Hd. TT-Scr. 5.16-18 x .62"
4.	710-1314	Socket Hd. Bolt 5.16-18 x .62" Lg.
5.	710-1315	Hex Wash. Hd. TT-Scr. 3.8-16 x 1.25"
6.	712-0271	Hex Sems Nut 1/4-20 Thd.
7.	721-0348	Exhaust Gasket
8.	726-0205	Hose Clamp
9.	726-0272	Clamp
10.	736-0119	Lock Washer 5/16" I.D.
11.	751-0535-12	Fuel Line Hose
12.	751-0564	Muffler Deflector
13.	751-0617	Muffler
14.	751-0620	Exhaust Pipe (16/17 HP)
15.	751-3140	Oil Drain
16.	751-3141	Oil Drain Hose Extension
17.	751-3142	Oil Drain Cap
18.	783-0615B	Muffler Bracket



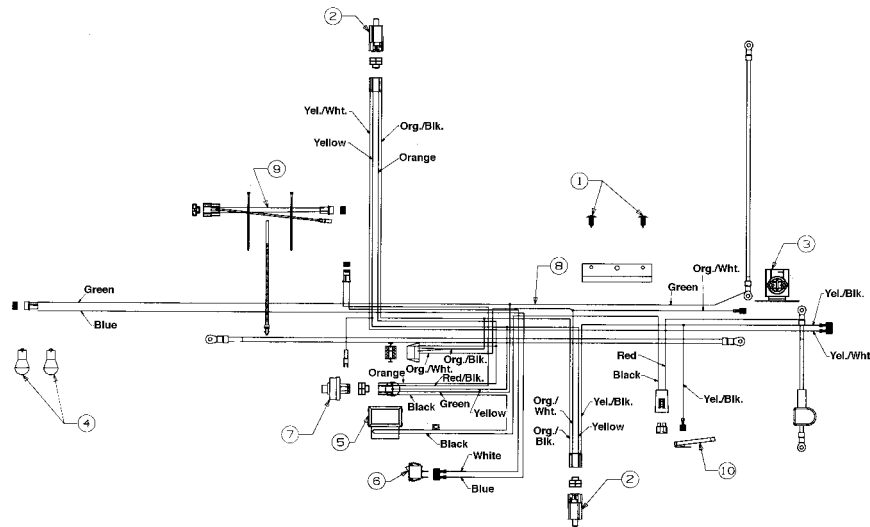
# Model Series 660 Thru 679

## Kohler



Ref. No.	Part No.	Description
1.	710-0148	Hex Tap Scr. #8-32 x .38" Lg.
2.	710-0599	Hex Wash. TT-Tap Scr. 1/4-20 x .5" Lg.
3.	710-0604A	Hex Wash. TT-Tap Scr. 5.16-18 x .62"
4.	710-3206A	Hex Bolt M8 x 1.25
5.	712-3086	Hex Flange Nut M8 Thd.
6.	721-0375	Exhaust Gasket
7.	726-0205	Hose Clamp
8.	726-0272	Clamp
9.	736-0607	External L-Wash. 5/16" I.D.
10.	751-0535-12	Fuel Line Hose
11.	751-0564	Muffler Deflector
12.	751-0617	Muffler
13.	751-0621	Exhaust Pipe
14.	751-3140	Oil Drain
15.	751-3141	Oil Drain Hose Extension
16.	751-3142	Oil Drain Cap
17.	783-0615B	Muffler Bracket

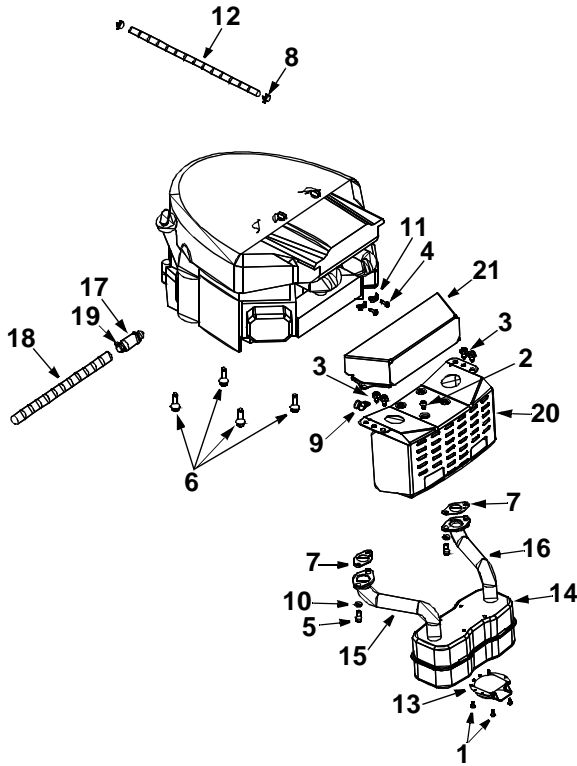
## Kohler



Ref. No.	Part No.	Description	Ref. No.	Part No.	Description
1.	726-3046	Ratchet	6.	725-0634	Light Switch
2.	725-1657A	Safety Switch	7.	725-0267	Ignition Switch
3.	725-1426	Solenoid	8.	629-0302D	Wire Harness
4.	725-0963	Bulb (Headlight)	9.	629-0209	Wire Harness Adapter
5.	725-0925	Ammeter	10.	629-0132	Wire Harness (Monitor)

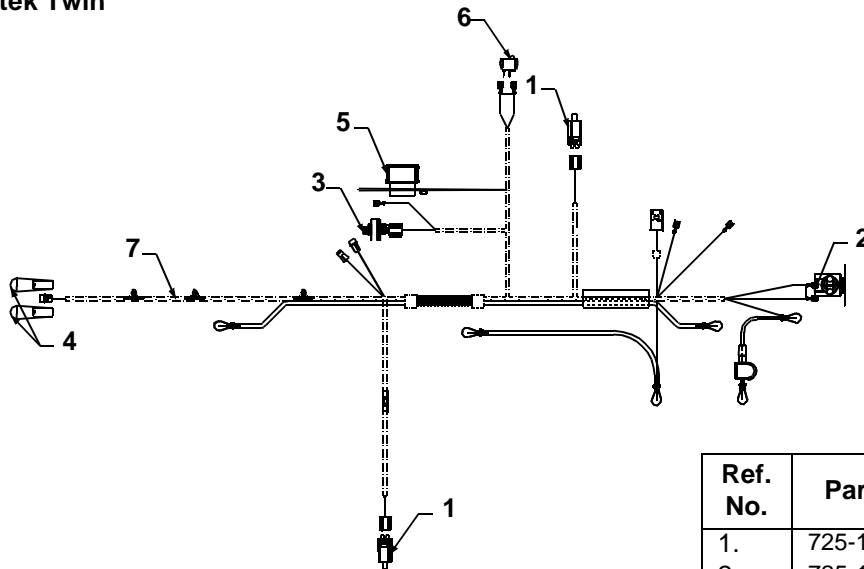
# Model Series 660 Thru 679

## Intek Twin



Ref. No	Part No.	Description
1.	710-0148	Hex Tap Scr. #8-32 x .38" Lg.
2.	710-0599	Hex Wash. TT-Tap Scr. 1/4-20 x 5" Lg.
3.	710-0604A	Hex Wash. TT-Tap Scr. 5.16-18 x .62"
4.	710-1237	Screw
5.	710-1314	Socket Head Scr. 5.16-18 x .62"
6.	710-1315	Hex TT-Tap Scr. 3.8-16 x 1.25"
7.	721-0460	Exhaust Gasket
8.	726-0205	Hose Clamp
9.	726-0272	Clamp
10.	736-0119	Lock Washer 5/16 I.D.
11.	751B2211535	Casing Clamp
12.	751-0535	Fuel Line Hose
13.	751-0564	Muffler Deflector
14.	751-0616	Muffler
15.	751-0560	Exhaust Pipe-R.H.
16.	751-0651	Exhaust Pipe-L.H.
17.	751-3140	Oil Drain
18.	751-3141	Oil Drain Hose Extension
19.	751-3142	Oil Drain Cap
20.	783-0615B	Muffler Bracket
21.	783-0625C	Heat Shield

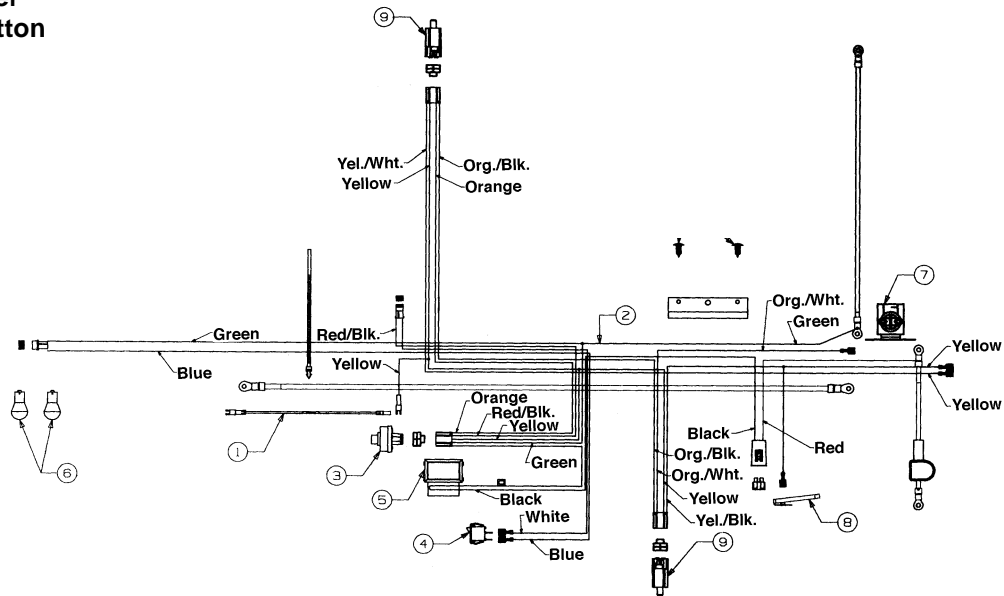
## Intek Twin



Ref. No.	Part No.	Description
1.	725-1657A	Safety Switch
2.	725-1426	Solenoid
3.	725-1396	Ignition Switch
4.	725-0963	Bulb (Headlight)
5.	725-0925	Ammeter
6.	725-0634	Light Switch
7.	629-0305D	Wire Harness w/Lt./Amp./Sw.
	629-0306C	Wire Harness w/Lt./Amp./Mon.

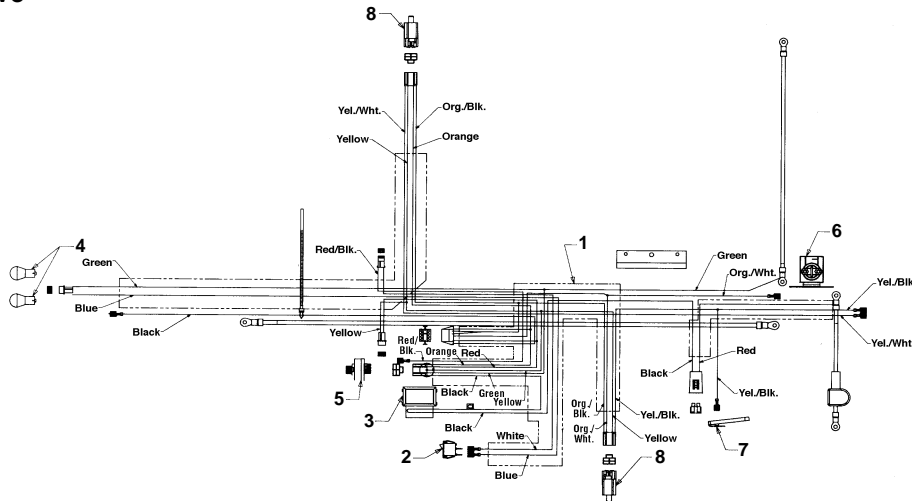
# Model Series 660 Thru 679

## Single Cylinder Briggs & Stratton



Ref. No.	Part No.	Description	Ref. No.	Part No.	Description
1.	629-0207	Harness Adapter (Mag.)	5.	725-0925	Ammeter (Optional)
2.	629-0302D	Wire Harness w/Lt./Amp./Sw.	6.	725-0963	Bulb (Headlight)
	629-0301D	Wire Harness w/o Lt./Amp./Sw.	7.	725-1426	Solenoid
3.	725-0267	Ignition Switch	8.	725-1643	Safety Switch (Reverse)
4.	725-0634	Light Switch (Optional)	9.	725-1657A	Safety Switch

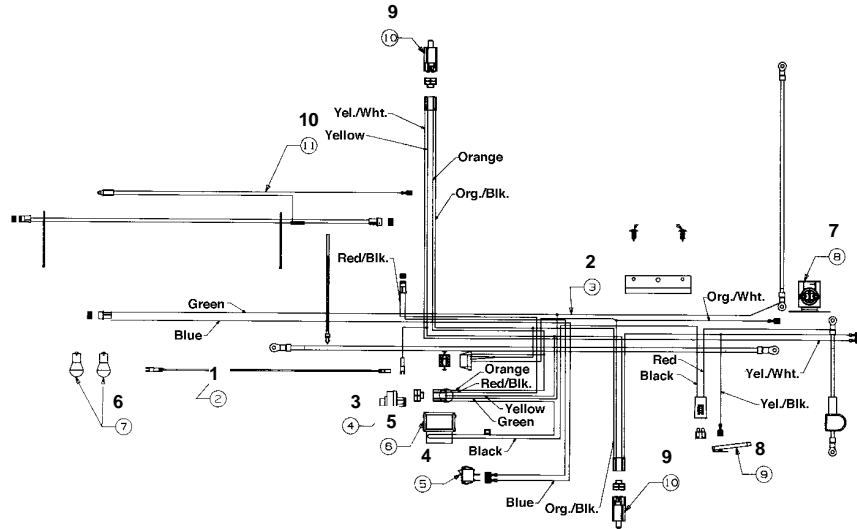
## Over Head Valve



Ref. No.	Part No.	Description	Ref. No.	Part No.	Description
1.	629-0305D	Wire Harness w/Lt./Amp./Sw.	5.	725-1396	Ignition Switch
	629-0304D	Wire Harness w/o Lt./Amp. Sw.	6.	725-1426	Solenoid
2.	725-0634	Light Switch (Optional)	7.	725-1643	Safety Switch (Reverse)
3.	725-0925	Ammeter (Optional)	8.	725-1657A	Safety Switch
4.	725-0963	Bulb (Optional)			

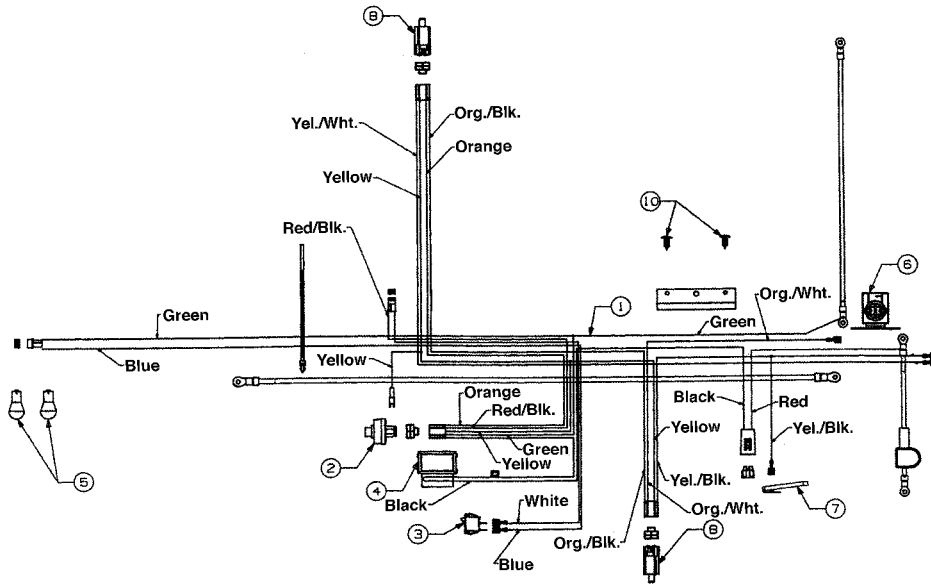
# Model Series 660 Thru 679

## Twin Cylinder Briggs & Stratton



Ref. No.	Part No.	Description	Ref. No.	Part No.	Description
1.	629-0208	Harness Adapter	6.	725-0963	Bulb
2.	629-0302D	Wire Harness w/Lt./Amp./Sw.	7.	725-1426	Solenoid
	629-0301D	Wire Harness w/o Lt./Amp./Sw.	8.	725-1643	Safety Switch (Reverse)
3.	725-0267	Ignition Switch	9.	725-1657A	Safety Switch
4.	725-0634	Light Switch	10.	629-0125	Harness Adapter (Alt.)
5.	725-0925	Ammeter			

## Tecumseh



Ref. No.	Part No.	Description	Ref. No.	Part No.	Description
1.	629-0302D	Wire Harness w/Lt./Amp./Sw.	5.	725-0963	Bulb (Headlight)
	629-0301D	Wire Harness w/o Lt./Amp./Sw.	6.	725-1426	Solenoid
2.	725-0267	Ignition Switch	7.	725-1643	Safety Switch (Reverse)
3.	725-0634	Light Switch (Optional)	8.	725-1657A	Safety Switch
4.	725-0925	Ammeter (Optional)			